



iW Graze QLX Powercore

iW Graze QLX Powercore, 10° x 60° Beam Angle, 914 mm (3 ft)

iW Graze QLX Powercore, 10° x 60° Beam Angle, 914 mm (3 ft)

Many architectural structures need a linear fixture capable of illuminating several storeys with minimal setback and reduced power consumption. Property owners/end users need a controllable product capable of dynamic illumination to draw attention to their establishments and emphasise their brands. Graze QLX Powercore is capable of illuminating over 10 meters at very close setback distances. Powercore technology enables simple installation and long product run lengths.

Product data

General Information		Controls and Dimming	
Lamp family code	LED-HB [LED High Brightness]	Dimmable	Yes
Light source replaceable	No		
Driver included	Yes		
Luminaire light beam spread	10° x 60°	Mechanical and Housing	
Protection class IEC	Safety class I	Length	914 mm
CE mark	CE mark		
UL mark	UL mark	Approval and Application	
Lifetime to 70% luminous flux	100000 h	Ingress protection code	IP66 [Dust penetration-protected, jet-proof]
		Mech. impact protection code	IK10 [20 J vandal-resistant]
		Vibration standard	Not compliant to ANSI C136.31, 3G. Special orders are available to conform to the standard. Please contact your Color Kinetics Lighting Sales rep for custom configurations.
Operating and Electrical		Vibration rating	Not compliant to ANSI C136.31, 3G. Special orders are available to conform to the standard. Please
Input Voltage	100 to 277 V		
Input frequency	50 to 60 Hz		

iW Graze QLX Powercore

contact your Color Kinetics Lighting Sales rep for custom configurations.

Initial Performance (IEC Compliant)

Initial input power 45 W

Application Conditions

Ambient temperature range -20 to +50 °C

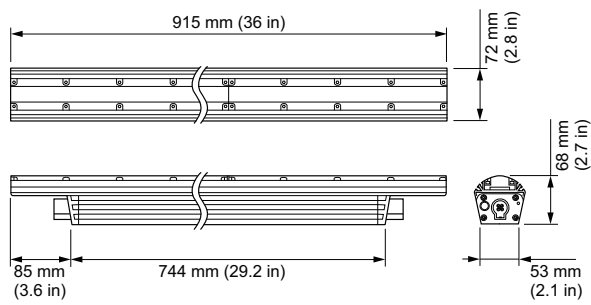
Product Data

Full product code 871829160958200
Order product name BCS437 10x60/2700-6500 L914

EAN/UPC – product	8718291609582
Order code	523-000079-31
SAP numerator – quantity per pack	1
Numerator – packs per outer box	1
SAP material	910503703675
SAP net weight (piece)	3.800 kg
Commercial Code	523-000079-31
Catalogue number description	iW Graze QLX Powercore, 10° x 60° Beam Angle, 914 mm (3 ft)



Dimensional drawing



Graze

