



# eW Graze MX Powercore

## eW Graze MX Powercore, 4000 K, 10° x 60° Beam Angle, 305 mm (1 ft)

eW Graze MX Powercore, 4000 K, 10° x 60° Beam Angle, 305 mm (1 ft)

Many architectural structures need a linear fixture capable of illuminating multiple storeys with minimal setback. Property owners/end users need a controllable product capable of dynamic illumination to draw attention to their establishments and emphasise their brands. Graze MX Powercore is capable of illuminating over 20 meters at very close setback distances. Powercore technology enables simple installation and long product run lengths.

### Product data

General information		Input frequency	
Lamp family code	LED-HB [ LED High Brightness]	50 to 60 Hz	
Lamp colour code	Neutral white	Controls and dimming	
Light source replaceable	No	Dimmable	Yes
Driver included	Yes	Mechanical and housing	
Luminaire light beam spread	10° x 60°	Housing material	Aluminum extruded
Protection class IEC	Safety class I (I)	Optical cover/lens material	Polycarbonate
CE mark	CE mark	Length	305 mm
UL mark	UL and cUL mark	Approval and application	
Lifetime to 70% luminous flux	60000 h	Ingress protection code	IP66 [ Dust penetration-protected, jet-proof]
Operating and electrical			
Input Voltage	100 to 277 V		

## eW Graze MX Powercore

Mech. impact protection code	IK10 [ 20 J vandal-resistant]
Vibration standard	Complies with ANSI C136.31, 3G
FCC mark	FCC Class A
Vibration rating	Complies with ANSI C136.31, 3G

### Initial performance (IEC compliant)

Lamp colour temperature	4000 K
Initial input power	15 W

### Over time performance (IEC compliant)

Lumen Maintenance 50% at 25 °C Reported	60000
Lumen Maintenance 50% at 50 °C Reported	60000
Lumen Maintenance 70% at 25 °C Reported	60000
Lumen Maintenance 70% at 50 °C Reported	60000

### Application conditions

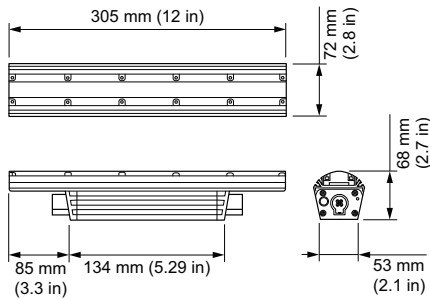
Ambient temperature range	-20 to +50 °C
---------------------------	---------------

### Product data

Full product code	871829161017599
Order product name	BCS419 10x60/4000 L305
EAN/UPC – product	8718291610175
Order code	523-000080-04
SAP numerator – quantity per pack	1
Numerator – packs per outer box	4
SAP material	910503703691
Net Weight (Piece)	1.200 kg
Commercial Code	523-000080-04
Commercial Code	eW Graze MX Powercore, 4000 K, 10° x 60° Beam Angle, 305 mm (1 ft)



## Dimensional drawing



BCS419 10x60/4000 L305

