



eW Graze MX Powercore

BCS419 9/4000 L609

eW Graze MX Powercore, 4000 K, 9° x 9° Beam Angle, 610 mm (2 ft)

Many architectural structures need a linear fixture capable of illuminating multiple storeys with minimal setback. Property owners/end users need a controllable product capable of dynamic illumination to draw attention to their establishments and emphasize their brands. Graze MX Powercore is capable of illuminating over 20 meters at very close setback distances. Powercore technology enables simple installation and long product run lengths.

Product data

General Information		Controls and Dimming	
Lamp family code	LED-HB [LED High Brightness]	Dimmable	Yes
Light source colour	Neutral white	Mechanical and Housing	
Light source replaceable	No	Housing material	Aluminum extruded
Driver included	Yes	Optical cover/lens material	Polycarbonate
Luminaire light beam spread	9° x 9°	Length	609 mm
Protection class IEC	Safety class I (I)	Approval and Application	
CE mark	CE mark	Ingress protection code	IP66 [Dust penetration-protected, jet-proof]
UL mark	UL and cUL mark	Mech. impact protection code	IK10 [20 J vandal-resistant]
Lifetime to 70% luminous flux	100000 h	Vibration standard	Complies with ANSI C136.31, 3G
Operating and Electrical		Vibration rating	Complies with ANSI C136.31, 3G
Input Voltage	100 to 277 V		
Input frequency	50 to 60 Hz		

eW Graze MX Powercore

Initial Performance (IEC Compliant)

Initial LED luminaire efficacy	60.1 lm/W
Init. Corr. Colour Temperature	4000 K
Initial input power	28 W

Over Time Performance (IEC Compliant)

Lumen Maintenance 50% at 25 °C Reported	60000
Lumen Maintenance 50% at 50 °C Reported	60000
Lumen Maintenance 70% at 25 °C Reported	60000
Lumen Maintenance 70% at 50 °C Reported	60000

Application Conditions

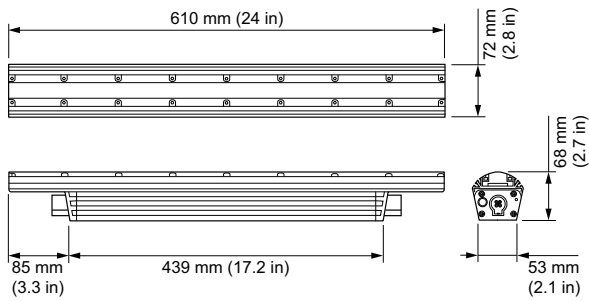
Ambient temperature range	-20 to +50 °C
---------------------------	---------------

Product Data

Full product code	871829161029899
Order product name	BCS419 9/4000 L609
EAN/UPC – product	8718291610298
Order code	523-000080-16
SAP numerator – quantity per pack	1
Numerator – packs per outer box	4
SAP material	910503703704
SAP net weight (piece)	0.825 kg
Commercial Code	523-000080-16
Catalogue number description	eW Graze MX Powercore, 4000 K, 9° x 9° Beam Angle, 610 mm (2 ft)



Dimensional drawing



BCS419 9/4000 L609

