



# eW Graze MX Powercore

## BCS419 9/4000 L914

eW Graze MX Powercore, 4000 K, 9° x 9° Beam Angle, 914 mm (3 ft)

Many architectural structures need a linear fixture capable of illuminating multiple storeys with minimal setback. Property owners/end users need a controllable product capable of dynamic illumination to draw attention to their establishments and emphasize their brands. Graze MX Powercore is capable of illuminating over 20 meters at very close setback distances. Powercore technology enables simple installation and long product run lengths.

### Product data

General Information	
Lamp family code	LED-HB [ LED High Brightness]
Light source colour	Neutral white
Light source replaceable	No
Driver included	Yes
Luminaire light beam spread	9° x 9°
Protection class IEC	Safety class I (I)
CE mark	CE mark
UL mark	UL and cUL mark
Lifetime to 70% luminous flux	100000 h
Operating and Electrical	
Input Voltage	100 to 277 V
Input frequency	50 to 60 Hz

Controls and Dimming	
Dimmable	Yes
Mechanical and Housing	
Housing material	Aluminum extruded
Optical cover/lens material	Polycarbonate
Length	914 mm
Approval and Application	
Ingress protection code	IP66 [ Dust penetration-protected, jet-proof]
Mech. impact protection code	IK10 [ 20 J vandal-resistant]
Vibration standard	Not compliant to ANSI C136.31, 3G. Special orders are available to conform to the standard. Please contact your Color Kinetics Lighting Sales rep for custom configurations.

# eW Graze MX Powercore

<b>Vibration rating</b>	Not compliant to ANSI C136.31, 3G. Special orders are available to conform to the standard. Please contact your Color Kinetics Lighting Sales rep for custom configurations.
-------------------------	--

## Initial Performance (IEC Compliant)

<b>Initial LED luminaire efficacy</b>	60.1 lm/W
<b>Init. Corr. Colour Temperature</b>	4000 K
<b>Initial input power</b>	42 W

## Over Time Performance (IEC Compliant)

<b>Lumen Maintenance 50% at 25 °C</b>	60000
<b>Reported</b>	
<b>Lumen Maintenance 50% at 50 °C</b>	60000
<b>Reported</b>	
<b>Lumen Maintenance 70% at 25 °C</b>	60000
<b>Reported</b>	
<b>Lumen Maintenance 70% at 50 °C</b>	60000
<b>Reported</b>	

## Application Conditions

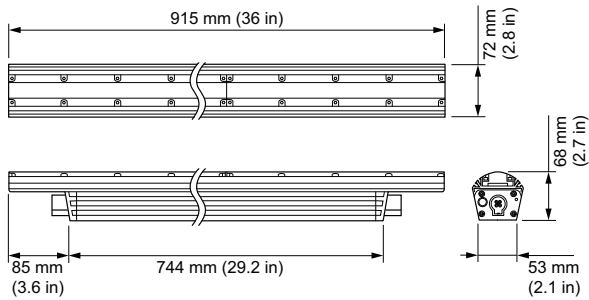
<b>Ambient temperature range</b>	-20 to +50 °C
----------------------------------	---------------

## Product Data

<b>Full product code</b>	871829161044100
<b>Order product name</b>	BCS419 9/4000 L914
<b>EAN/UPC – product</b>	8718291610441
<b>Order code</b>	523-000080-31
<b>SAP numerator – quantity per pack</b>	1
<b>Numerator – packs per outer box</b>	1
<b>SAP material</b>	910503703719
<b>SAP net weight (piece)</b>	3.800 kg
<b>Commercial Code</b>	523-000080-31
<b>Catalogue number description</b>	eW Graze MX Powercore, 4000 K, 9° x 9° Beam Angle, 914 mm (3 ft)



## Dimensional drawing



BCS419 9/4000 L914

