



# eW Graze MX Powercore

## eW Graze MX Powercore, 2700 K, 10° x 60° Beam Angle, 914 mm (3 ft)

eW Graze MX Powercore, 2700 K, 10° x 60° Beam Angle, 914 mm (3 ft)

Many architectural structures need a linear fixture capable of illuminating multiple storeys with minimal setback. Property owners/end users need a controllable product capable of dynamic illumination to draw attention to their establishments and emphasize their brands. Graze MX Powercore is capable of illuminating over 20 meters at very close setback distances. Powercore technology enables simple installation and long product run lengths.

### Product data

General information		Input frequency	
Lamp family code	LED-HB [ LED High Brightness]	50 to 60 Hz	
Light source colour	Warm white	Controls and dimming	
Light source replaceable	No	Dimmable	Yes
Driver included	Yes	Mechanical and housing	
Luminaire light beam spread	10° x 60°	Housing material	Aluminum extruded
Protection class IEC	Safety class I (I)	Optical cover/lens material	Polycarbonate
CE mark	CE mark	Length	914 mm
UL mark	UL and cUL mark	Approval and application	
Lifetime to 70% luminous flux	60000 h	Ingress protection code	IP66 [ Dust penetration-protected, jet-proof]
Operating and electrical		Mech. impact protection code	IK10 [ 20 J vandal-resistant]
Input Voltage	100 to 277 V		

# eW Graze MX Powercore

<b>Vibration standard</b>	Not compliant to ANSI C136.31, 3G. Special orders are available to conform to the standard. Please contact your Color Kinetics Lighting Sales rep for custom configurations.
<b>Vibration rating</b>	Not compliant to ANSI C136.31, 3G. Special orders are available to conform to the standard. Please contact your Color Kinetics Lighting Sales rep for custom configurations.

## Initial performance (IEC compliant)

<b>Init. Corr. Colour Temperature</b>	2700 K
<b>Initial input power</b>	42 W

## Over time performance (IEC compliant)

<b>Lumen Maintenance 50% at 25 °C</b> Reported	60000
<b>Lumen Maintenance 50% at 50 °C</b> Reported	60000
<b>Lumen Maintenance 70% at 25 °C</b> Reported	60000
<b>Lumen Maintenance 70% at 50 °C</b> Reported	60000

## Application conditions

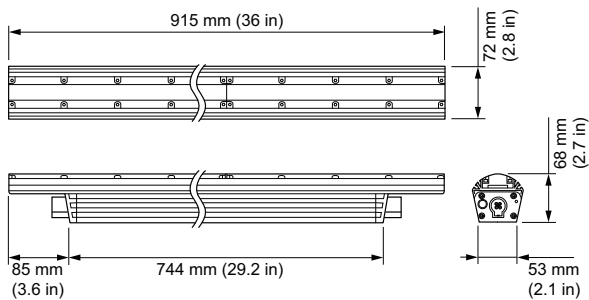
<b>Ambient temperature range</b>	-20 to +50 °C
----------------------------------	---------------

## Product data

<b>Full product code</b>	871829161046500
<b>Order product name</b>	BCS419 10x60/2700 L914
<b>EAN/UPC – product</b>	8718291610465
<b>Order code</b>	523-000080-33
<b>SAP numerator – quantity per pack</b>	1
<b>Numerator – packs per outer box</b>	1
<b>SAP material</b>	910503703721
<b>Net Weight (Piece)</b>	3.800 kg
<b>Commercial Code</b>	523-000080-33
<b>Catalogue number description</b>	eW Graze MX Powercore, 2700 K, 10° x 60° Beam Angle, 914 mm (3 ft)



## Dimensional drawing



BCS419 10x60/2700 L914

