



eW Graze MX Powercore

eW Graze MX Powercore, 2700 K, 60° x 30° Beam Angle, 1219 mm (4 ft)

eW Graze MX Powercore, 2700 K, 60° x 30° Beam Angle, 1219 mm (4 ft)

Many architectural structures need a linear fixture capable of illuminating multiple storeys with minimal setback. Property owners/end users need a controllable product capable of dynamic illumination to draw attention to their establishments and emphasize their brands. Graze MX Powercore is capable of illuminating over 20 meters at very close setback distances. Powercore technology enables simple installation and long product run lengths.

Product data

General information		Operating and electrical	
Lamp family code	LED-HB [LED High Brightness]	Input Voltage	100 to 277 V
Light source colour	Warm white	Input frequency	50 to 60 Hz
Light source replaceable	No	Controls and dimming	
Driver included	Yes	Dimmable	Yes
Luminaire light beam spread	60° x 30°	Mechanical and housing	
Protection class IEC	Safety class I (I)	Housing material	Aluminum extruded
CE mark	CE mark	Optical cover/lens material	Polycarbonate
UL mark	UL and cUL mark	Length	1219 mm
Lifetime to 50% luminous flux	60000 h		
Lifetime to 70% luminous flux	60000 h		

eW Graze MX Powercore

Approval and application	
Ingress protection code	IP66 [Dust penetration-protected, jet-proof]
Mech. impact protection code	IK10 [20 J vandal-resistant]
Vibration standard	Not compliant to ANSI C136.31, 3G. Special orders are available to conform to the standard. Please contact your Color Kinetics Lighting Sales rep for custom configurations.
Vibration rating	Not compliant to ANSI C136.31, 3G. Special orders are available to conform to the standard. Please contact your Color Kinetics Lighting Sales rep for custom configurations.

Initial performance (IEC compliant)	
Init. Corr. Colour Temperature	2700 K
Initial input power	60 W

Over time performance (IEC compliant)	
Lumen Maintenance 50% at 25 °C	60000
Reported	
Lumen Maintenance 50% at 50 °C	60000
Reported	
Lumen Maintenance 70% at 25 °C	60000
Reported	

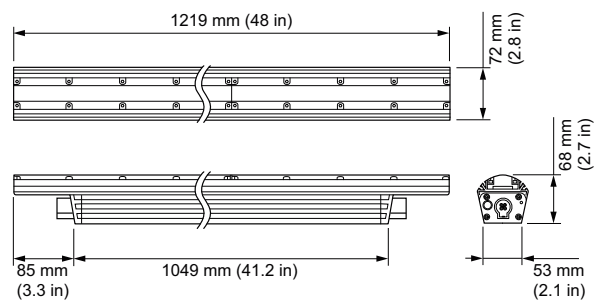
Lumen Maintenance 70% at 50 °C	60000
Reported	

Application conditions	
Ambient temperature range	-20 to +50 °C

Product data	
Full product code	871829161070000
Order product name	BCS419 60x30/2700 L1219
EAN/UPC – product	8718291610700
Order code	523-000080-57
SAP numerator – quantity per pack	1
Numerator – packs per outer box	1
SAP material	910503703745
Net Weight (Piece)	4.700 kg
Commercial Code	523-000080-57
Catalogue number description	eW Graze MX Powercore, 2700 K, 60° x 30° Beam Angle, 1219 mm (4 ft)



Dimensional drawing



BCS419 60x30/2700 L1219

