



# eW Graze QLX Powercore

## BCS427 30x60/2700 L914

eW Graze QLX Powercore, 2700 K, 30° x 60° Beam Angle, 914 mm (3 ft)

Many architectural structures need a linear fixture capable of illuminating several storeys with minimal setback and reduced power consumption. Property owners/end users need a controllable product capable of dynamic illumination to draw attention to their establishments and emphasize their brands. Graze QLX Powercore is capable of illuminating over 10 meters at very close setback distances. Powercore technology enables simple installation and long product run lengths.

### Product data

General Information		Input frequency	
Lamp family code	LED-HB [ LED High Brightness]	Input frequency	50 to 60 Hz
Light source colour	Warm white	Controls and Dimming	
Light source replaceable	No	Dimmable	Yes
Driver included	Yes	Mechanical and Housing	
Optical cover/lens type	PCC [ Polycarbonate bowl/cover clear]	Housing material	Aluminum extruded
Luminaire light beam spread	30° x 60°	Optical cover/lens material	Polycarbonate
Protection class IEC	Safety class I (I)	Length	914 mm
CE mark	CE mark	Colour	Aluminum
UL mark	UL and cUL mark	Approval and Application	
Lifetime to 70% luminous flux	100000 h	Ingress protection code	IP66 [ Dust penetration-protected, jet-proof]
Operating and Electrical		Mech. impact protection code	IK10 [ 20 J vandal-resistant]
Input Voltage	100 to 277 V		

# eW Graze QLX Powercore

<b>Vibration standard</b>	Not compliant to ANSI C136.31, 3G. Special orders are available to conform to the standard. Please contact your Color Kinetics Lighting Sales rep for custom configurations.
<b>Vibration rating</b>	Not compliant to ANSI C136.31, 3G. Special orders are available to conform to the standard. Please contact your Color Kinetics Lighting Sales rep for custom configurations.

## Initial Performance (IEC Compliant)

<b>Init. Corr. Colour Temperature</b>	2700 K
<b>Initial input power</b>	42 W

## Over Time Performance (IEC Compliant)

<b>Lumen Maintenance 50% at 25 °C</b>	60000
<b>Reported</b>	
<b>Lumen Maintenance 50% at 50 °C</b>	60000
<b>Reported</b>	
<b>Lumen Maintenance 70% at 25 °C</b>	60000
<b>Reported</b>	
<b>Lumen Maintenance 70% at 50 °C</b>	60000
<b>Reported</b>	

## Application Conditions

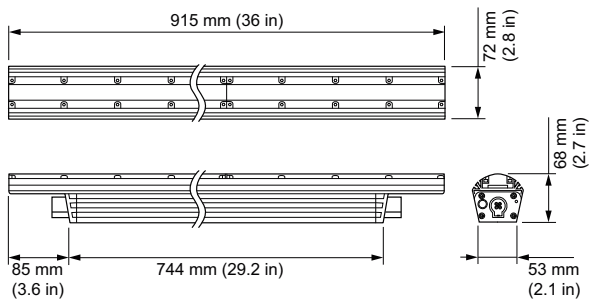
<b>Ambient temperature range</b>	-40 to +50 °C
----------------------------------	---------------

## Product Data

<b>Full product code</b>	871829161142400
<b>Order product name</b>	BCS427 30x60/2700 L914
<b>EAN/UPC – product</b>	8718291611424
<b>Order code</b>	523-000081-39
<b>SAP numerator – quantity per pack</b>	1
<b>Numerator – packs per outer box</b>	1
<b>SAP material</b>	910503703786
<b>SAP net weight (piece)</b>	3.800 kg
<b>Commercial Code</b>	523-000081-39
<b>Catalogue number description</b>	eW Graze QLX Powercore, 2700 K, 30° x 60° Beam Angle, 914 mm (3 ft)



## Dimensional drawing



**Graze**

