



eW Graze EC Powercore

BCS428 4000 L914

eW Graze EC Powercore, 4000 K, 90° x 90° Beam Angle, 914 mm (3 ft)

Some exterior architectural details require a soft-edged volume fill of light. Graze EC Powercore combines this output with the proven, durable design of the Graze Powercore product family and low power consumption.

Product data

General Information	
Lamp family code	LED-HB [LED High Brightness]
Light source colour	Neutral white
Light source replaceable	No
Driver included	Yes
Optical cover/lens type	PCF [Polycarbonate bowl/cover frosted]
Luminaire light beam spread	90° x 90°
Protection class IEC	Safety class I (I)
CE mark	CE mark
UL mark	UL and cUL mark
Lifetime to 70% luminous flux	36000 h

Operating and Electrical	
Input Voltage	100 to 277 V
Input frequency	50 to 60 Hz

Controls and Dimming	
Dimmable	Yes

Mechanical and Housing	
Housing material	Aluminum extruded
Optic material	Polycarbonate
Optical cover/lens material	Polycarbonate
Length	914 mm
Colour	Aluminum

Approval and Application	
Ingress protection code	IP66 [Dust penetration-protected, jet-proof]
Mech. impact protection code	IK10 [20 J vandal-resistant]
Vibration standard	Not compliant to ANSI C136.31, 3G. Special orders are available to conform to the standard. Please contact your Color Kinetics Lighting Sales rep for custom configurations.

eW Graze EC Powercore

Vibration rating	Not compliant to ANSI C136.31, 3G. Special orders are available to conform to the standard. Please contact your Color Kinetics Lighting Sales rep for custom configurations.
-------------------------	--

Initial Performance (IEC Compliant)

Init. Corr. Colour Temperature	4000 K
Init. Colour rendering index	87
Initial input power	42 W

Over Time Performance (IEC Compliant)

Lumen Maintenance 50% at 25 °C Reported	36000
Lumen Maintenance 50% at 50 °C Reported	36000
Lumen Maintenance 70% at 25 °C Reported	36000
Lumen Maintenance 70% at 50 °C Reported	36000

Application Conditions

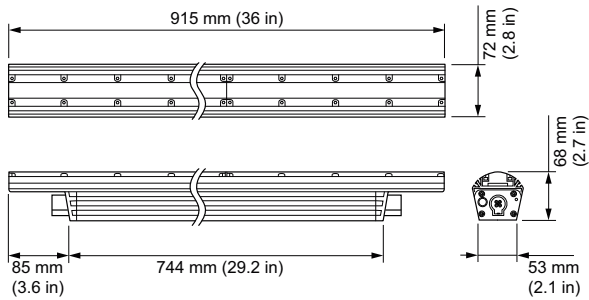
Ambient temperature range	-40 to +50 °C
----------------------------------	---------------

Product Data

Full product code	871829161200100
Order product name	BCS428 4000 L914
EAN/UPC – product	8718291612001
Order code	523-000082-07
SAP numerator – quantity per pack	1
Numerator – packs per outer box	1
SAP material	910503703814
SAP net weight (piece)	3.800 kg
Commercial Code	523-000082-07
Catalogue number description	eW Graze EC Powercore, 4000 K, 90° x 90° Beam Angle, 914 mm (3 ft)



Dimensional drawing



BCS428 4000 L914

