



# eW Graze EC Powercore

## BCS428 5500 L914

eW Graze EC Powercore, 5500 K, 90° x 90° Beam Angle, 914 mm (3 ft)

Some exterior architectural details require a soft-edged volume fill of light. Graze EC Powercore combines this output with the proven, durable design of the Graze Powercore product family and low power consumption.

### Product data

General Information		Controls and Dimming	
Lamp family code	LED-HB [ LED High Brightness]	Dimmable	Yes
Light source colour	Cool white		
Light source replaceable	No	Mechanical and Housing	
Driver included	Yes	Housing material	Aluminum extruded
Optical cover/lens type	PCF [ Polycarbonate bowl/cover frosted]	Optic material	Polycarbonate
Luminaire light beam spread	90° x 90°	Optical cover/lens material	Polycarbonate
Protection class IEC	Safety class I (I)	Length	914 mm
CE mark	CE mark	Colour	Aluminum
UL mark	UL and cUL mark		
Lifetime to 70% luminous flux	36000 h	Approval and Application	
		Ingress protection code	IP66 [ Dust penetration-protected, jet-proof]
		Mech. impact protection code	IK10 [ 20 J vandal-resistant]
		Vibration standard	Not compliant to ANSI C136.31, 3G. Special orders are available to conform to the standard. Please contact your Color Kinetics Lighting Sales rep for custom configurations.

# eW Graze EC Powercore

<b>Vibration rating</b>	Not compliant to ANSI C136.31, 3G. Special orders are available to conform to the standard. Please contact your Color Kinetics Lighting Sales rep for custom configurations.
-------------------------	--

## Initial Performance (IEC Compliant)

<b>Init. Corr. Colour Temperature</b>	5500 K
<b>Initial input power</b>	42 W

## Over Time Performance (IEC Compliant)

<b>Lumen Maintenance 50% at 25 °C</b>	36000
<b>Reported</b>	
<b>Lumen Maintenance 50% at 50 °C</b>	36000
<b>Reported</b>	
<b>Lumen Maintenance 70% at 25 °C</b>	36000
<b>Reported</b>	
<b>Lumen Maintenance 70% at 50 °C</b>	36000
<b>Reported</b>	

## Application Conditions

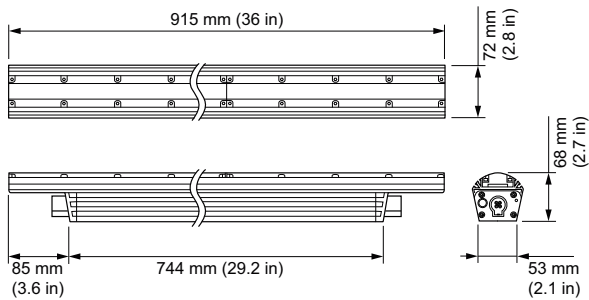
<b>Ambient temperature range</b>	-40 to +50 °C
----------------------------------	---------------

## Product Data

<b>Full product code</b>	871829161201800
<b>Order product name</b>	BCS428 5500 L914
<b>EAN/UPC – product</b>	8718291612018
<b>Order code</b>	523-000082-08
<b>SAP numerator – quantity per pack</b>	1
<b>Numerator – packs per outer box</b>	1
<b>SAP material</b>	910503703815
<b>SAP net weight (piece)</b>	3.800 kg
<b>Commercial Code</b>	523-000082-08
<b>Catalogue number description</b>	eW Graze EC Powercore, 5500 K, 90° x 90° Beam Angle, 914 mm (3 ft)



## Dimensional drawing



BCS428 5500 L914

