



# iW Reach Powercore gen2

DCP774 2700-6500 100-240V

100 to 240 V

iW Reach Powercore gen2 high-performance LED luminaires are premium exterior long-throw dynamic high-quality white luminaires for lighting tall buildings, bridges, and iconic structures. iW Reach Powercore gen2 outputs washes of white light in color temperatures ranging from a warm 2700 K to a cool 6500 K. A full range of accessories allow for customizable beam angles for floodlighting, spotlighting, wall washing, and grazing, along with the efficiency and cost-effectiveness of Powercore technology in a rugged die-cast aluminium housing.

## Product data

General Information	
Lamp family code	LED-HB [ LED High Brightness]
Light source replaceable	No
Driver included	Yes
Protection class IEC	Safety class I
Type description	-
CE mark	CE mark
UL mark	UL mark
Lifetime to 70% luminous flux	70000 h
Operating and Electrical	
Input Voltage	100 to 240 V
Input Frequency	50 to 60 Hz

Controls and Dimming	
Dimmable	Yes
Mechanical and Housing	
Housing Material	Aluminum
Optic material	Glass
Approval and Application	
Ingress protection code	IP66 [ Dust penetration-protected, jet-proof]
Initial Performance (IEC Compliant)	
Initial luminous flux (system flux)	8937 lm
Initial LED luminaire efficacy	30.8 lm/W
Init. Corr. Color Temperature	2700 to 6500 K

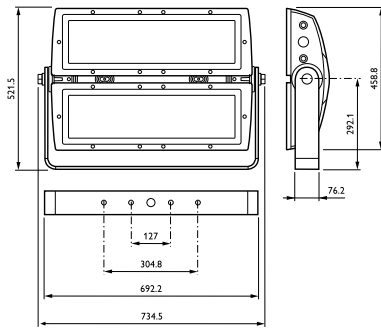
## iW Reach Powercore gen2

Initial input power	250 W
<b>Application Conditions</b>	
Ambient temperature range	-40 to +50 °C
<b>Product Data</b>	
Full product code	871829138442700
Order product name	DCP774 2700-6500 100-240V
EAN/UPC - Product	8718291384427

Order code	910503703935
Numerator - Quantity Per Pack	1
Numerator - Packs per outer box	1
Material Nr. (12NC)	910503703935
Net Weight (Piece)	34.000 kg



### Dimensional drawing



Reach

