



# eW Reach Powercore gen2

## DCP773 3000 100-240V

3000 K - 5° - 100 to 240 V

eW Reach Powercore is the first white-light/solid-color exterior architectural LED floodlight powerful enough to brilliantly and dynamically illuminate large architectural façades. eW Reach Powercore combines all the benefits of LED lighting in an elegant fixture specifically designed for large-scale installations, such as commercial skyscrapers, casinos, large retail exteriors, bridges, piers, public monuments, and themed attractions. With extremely high lumen output and unprecedented light projection, this powerful fixture represents the next generation in exterior illumination. Integrated Powercore technology ensures rapid, efficient and accurate control of power output to the fixture directly from line voltage, eliminating the need for external power supplies. Use of standard wiring dramatically simplifies installation and helps lower total system cost.

### Product data

General Information	
Lamp family code	LED-HB [ LED High Brightness]
Light source replaceable	No
Driver included	Yes
Luminaire light beam spread	5°
Protection class IEC	Safety class I (I)
Type description	No
CE mark	CE mark
UL mark	UL mark
Lifetime to 70% luminous flux	70000 h

Operating and Electrical	
Input Voltage	100 to 240 V
Input Frequency	50 to 60 Hz
Controls and Dimming	
Dimmable	Yes
Mechanical and Housing	
Housing Material	Aluminum
Optic material	Glass

## eW Reach Powercore gen2

### Approval and Application

Ingress protection code IP66 [ Dust penetration-protected, jet-proof]

### Initial Performance (IEC Compliant)

Initial luminous flux (system flux) 8937 lm

Initial LED luminaire efficacy 30.8 lm/W

Init. Corr. Color Temperature 3000 K

Initial input power 250 W

### Application Conditions

Ambient temperature range -40 to +50 °C

### Product Data

Full product code 871829138440300

Order product name DCP773 3000 100-240V

EAN/UPC - Product 8718291384403

Order code 910503703944

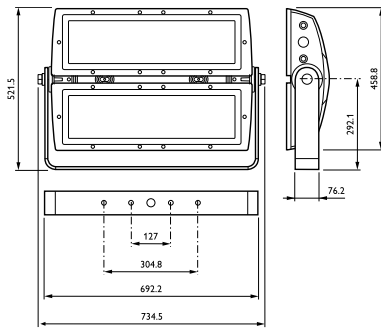
Numerator - Quantity Per Pack 1

Numerator - Packs per outer box 1

Material Nr. (12NC) 910503703944

Net Weight (Piece) 34.000 kg

### Dimensional drawing



Reach

