



eW Reach Powercore gen2

DCP773 3000 100-240V

3000 K - 5° - 100 to 240 V

eW Reach Powercore gen2 high-performance LED luminaires are premium exterior long-throw dynamic high-quality white luminaires for lighting tall buildings, bridges, and iconic structures. eW Reach Powercore gen2 outputs washes of white light in color temperatures ranging from a warm 2700 K to a cool 6500 K. A full range of accessories allow for customizable beam angles for floodlighting, spotlighting, wall washing, and grazing, along with the efficiency and cost-effectiveness of Powercore technology in a rugged die-cast aluminium housing.

Product data

General Information	
Lamp family code	LED-HB [LED High Brightness]
Light source replaceable	No
Driver included	Yes
Luminaire light beam spread	5°
Protection class IEC	Safety class I
Type description	-
CE mark	CE mark
UL mark	UL mark
Lifetime to 70% luminous flux	70000 h
Operating and Electrical	
Input Voltage	100 to 240 V
Input Frequency	50 to 60 Hz

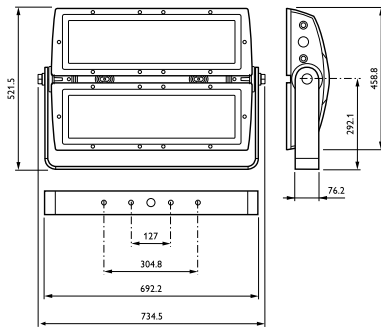
Controls and Dimming	
Dimmable	Yes
Mechanical and Housing	
Housing Material	Aluminum
Optic material	Glass
Approval and Application	
Ingress protection code	IP66 [Dust penetration-protected, jet-proof]
Initial Performance (IEC Compliant)	
Initial luminous flux (system flux)	8937 lm
Initial LED luminaire efficacy	30.8 lm/W
Init. Corr. Color Temperature	3000 K

eW Reach Powercore gen2

Initial input power	250 W
Application Conditions	
Ambient temperature range	-40 to +50 °C
Product Data	
Full product code	871829138440300
Order product name	DCP773 3000 100-240V
EAN/UPC - Product	8718291384403

Order code	910503703944
Numerator - Quantity Per Pack	1
Numerator - Packs per outer box	1
Material Nr. (12NC)	910503703944
Net Weight (Piece)	34.000 kg

Dimensional drawing



Reach

