



# Vaya Flood MP

## BCP415 30xLED-HB/5000 220-240 40 CE CQC

30 pcs - LED High Brightness - Medium beam angle 40°

Vaya Flood MP gen2 is a reliable and cost effective LED flood lighting solution for both interior and exterior use that minimizes the initial investment, while providing exceptional flexibility to create eye-catching flood, wash and accent lighting effects. A wide choice of beam angles and color options let you bring a property to life with either static or dynamically changing colors. Extended light throw and high efficacy set this compact & robust luminaire apart. Its integrated power and adjustable tilt angle make this product versatile and easy to use.

### Product data

General Information	
Number of light sources	30 pcs
Lamp family code	LED-HB [ LED High Brightness]
Light source replaceable	No
Driver included	Yes
Optical cover/lens type	Flat glass
Protection class IEC	Safety class I
Type description	-
CE mark	CE mark
ENEC mark	ENEC mark
UL mark	UL mark
CQC mark	CQC-mark
Lifetime to 70% luminous flux	50000 h
Optic type outdoor	Medium beam angle 40°
PSE mark	No
RoHS mark	-
WEEE mark	-

Light Technical	
Standard tilt angle posttop	0°
Standard tilt angle side entry	0°
Operating and Electrical	
Input Voltage	220 to 240 V
Input Frequency	50 to 60 Hz
Controls and Dimming	
Dimmable	Yes
Mechanical and Housing	
Housing Material	Aluminum
Optical cover/lens material	Glass
Approval and Application	
Ingress protection code	IP66 [ Dust penetration-protected, jet-proof]

## Vaya Flood MP

Mech. impact protection code IK06 [ 1 J]

### Initial Performance (IEC Compliant)

Initial LED luminaire efficacy 45 lm/W  
Init. Corr. Color Temperature 5000 K  
Init. Color Rendering Index 80  
Initial input power 73 W

### Application Conditions

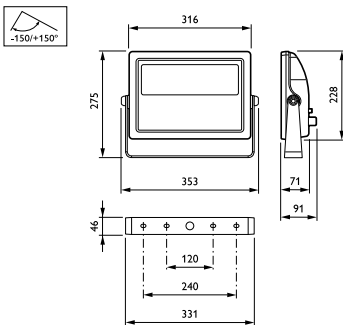
Ambient temperature range -20 to +40 °C

### Product Data

Full product code 871829160124199

Order product name BCP415 30xLED-HB/5000 220-240 40 CE CQC  
EAN/UPC - Product 8718291601241  
Order code 910503704119  
Numerator - Quantity Per Pack 1  
Numerator - Packs per outer box 2  
Material Nr. (12NC) 910503704119  
Net Weight (Piece) 5.700 kg

## Dimensional drawing



Vaya

