



eColor Reach Compact Powercore

DCP402 BL 100-240V CE

Blue - 100 to 240 V - Aluminum

eColor Reach Compact Powercore high-performance LED luminaires are premium exterior long-throw dynamic high-quality solid color luminaires for lighting tall buildings, bridges, and iconic structures. A full range of accessories allow for customizable beam angles for floodlighting, spotlighting, wall washing, and grazing, along with the efficiency and cost-effectiveness of Powercore technology in a rugged die-cast aluminium housing.

Product data

General Information		Life to 50% init flux at 25 °C		Life to 50% init flux at 50 °C		Life to 70% init flux at 25 °C		Angle	
Light source color	Blue		100000 h		50000 h		50000 h		5°
Light source replaceable	No								
Driver/power unit/transformer	Power supply unit regulating								
Driver included	Yes								
Optical cover/lens type	Flat glass								
Luminaire light beam spread	5°								
Protection class IEC	Safety class I								
Flammability mark	For mounting on normally flammable surfaces								
CE mark	CE mark								
ENEC mark	-								
UL mark	-								
Warranty period	5 years								
FCC mark	FCC Class A								
RoHS mark	RoHS mark								
WEEE mark	WEEE mark								
Operating and Electrical									
Input Voltage	100 to 240 V								
Input Frequency	50 to 60 Hz								
Controls and Dimming									
Dimmable	Yes								
Mechanical and Housing									
Housing Material	Aluminum								
Optical cover/lens material	Tempered glass								
Optical cover/lens shape	Flat								

eColor Reach Compact Powercore

Optical cover/lens finish	Clear
Color	Aluminum

Approval and Application

Ingress protection code	IP66 [Dust penetration-protected, jet-proof]
Mech. impact protection code	IK07 [2 J reinforced]

Initial Performance (IEC Compliant)

Initial luminous flux (system flux)	6800 lm
Luminous flux tolerance	+/-10%
Init. Color Rendering Index	82
Initial input power	130 W
Power consumption tolerance	+/-10%

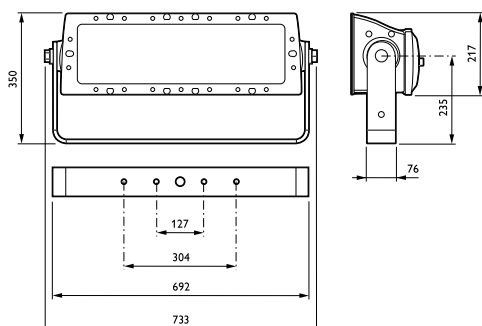
Application Conditions

Ambient temperature range	-40 to +50 °C
---------------------------	---------------

Product Data

Full product code	871829160247700
Order product name	DCP402 BL 100-240V CE
EAN/UPC - Product	8718291602477
Order code	910503704179
Numerator - Quantity Per Pack	1
Numerator - Packs per outer box	1
Material Nr. (12NC)	910503704179
Net Weight (Piece)	34.000 kg

Dimensional drawing



Reach Compact

