



Vaya Flood LP

BCP412 18xLED-HB/4000 100-240 90 CE CQC

18 pcs - LED High Brightness - Very wide beam angle 90°

Vaya Flood LP (gen2) is a reliable and cost effective LED flood lighting solution for both interior and exterior use that minimizes the initial investment, while providing exceptional flexibility to create eye-catching flood, wash and accent lighting effects. A wide choice of beam angles and color options let you bring a property to life with either static or dynamically changing colors. Extended light throw and high efficacy set this compact & robust luminaire apart. Its integrated power and adjustable tilt angle make this product versatile and easy to use.

Product data

| General Information | |
|-------------------------------|-------------------------------|
| Number of light sources | 18 pcs |
| Lamp family code | LED-HB [LED High Brightness] |
| Light source replaceable | No |
| Driver included | Yes |
| Optical cover/lens type | Flat glass |
| Protection class IEC | Safety class I |
| Type description | - |
| CE mark | CE mark |
| ENEC mark | ENEC mark |
| UL mark | UL mark |
| CQC mark | CQC-mark |
| Lifetime to 70% luminous flux | 50000 h |
| Optic type outdoor | Very wide beam angle 90° |
| PSE mark | No |
| RoHS mark | - |
| WEEE mark | - |

| Light Technical | |
|--------------------------------|---|
| Standard tilt angle posttop | 0° |
| Standard tilt angle side entry | 0° |
| Operating and Electrical | |
| Input Voltage | 100 to 240 V |
| Input Frequency | 50 to 60 Hz |
| Controls and Dimming | |
| Dimmable | Yes |
| Mechanical and Housing | |
| Housing Material | Aluminum |
| Optical cover/lens material | Glass |
| Approval and Application | |
| Ingress protection code | IP66 [Dust penetration-protected, jet-proof] |

Vaya Flood LP

| | |
|------------------------------|-------------|
| Mech. impact protection code | IK06 [1 J] |
|------------------------------|-------------|

Initial Performance (IEC Compliant)

| | |
|--------------------------------|---------|
| Initial LED luminaire efficacy | 45 lm/W |
| Init. Corr. Color Temperature | 4000 K |
| Init. Color Rendering Index | 80 |
| Initial input power | 44 W |

Application Conditions

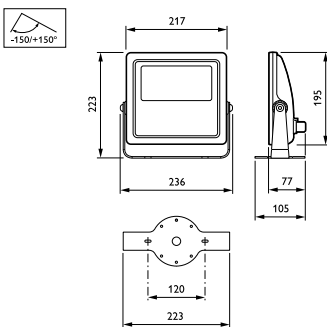
| | |
|---------------------------|---------------|
| Ambient temperature range | -20 to +40 °C |
|---------------------------|---------------|

Product Data

| | |
|-------------------|-----------------|
| Full product code | 871829138448999 |
|-------------------|-----------------|

| | |
|---------------------------------|---|
| Order product name | BCP412 18xLED-HB/4000 100-240 90 CE CQC |
| EAN/UPC - Product | 8718291384489 |
| Order code | 910503704195 |
| Numerator - Quantity Per Pack | 1 |
| Numerator - Packs per outer box | 4 |
| Material Nr. (12NC) | 910503704195 |
| Net Weight (Piece) | 2.500 kg |

Dimensional drawing



Vaya

