



Vaya Flood MP

BCP415 30xLED-HB/5000 220-240 90 CE CQC

30 pcs - LED High Brightness - Very wide beam angle 90°

Vaya Flood MP gen2 is a reliable and cost effective LED flood lighting solution for both interior and exterior use that minimizes the initial investment, while providing exceptional flexibility to create eye-catching flood, wash and accent lighting effects. A wide choice of beam angles and color options let you bring a property to life with either static or dynamically changing colors. Extended light throw and high efficacy set this compact & robust luminaire apart. Its integrated power and adjustable tilt angle make this product versatile and easy to use.

Product data

General Information	
Number of light sources	30 pcs
Lamp family code	LED-HB [LED High Brightness]
Light source replaceable	No
Driver included	Yes
Optical cover/lens type	Flat glass
Protection class IEC	Safety class I
Type description	-
CE mark	CE mark
ENEC mark	ENEC mark
UL mark	UL mark
CQC mark	CQC-mark
Lifetime to 70% luminous flux	50000 h
Optic type outdoor	Very wide beam angle 90°
PSE mark	No
RoHS mark	-
WEEE mark	-

Light Technical	
Standard tilt angle posttop	0°
Standard tilt angle side entry	0°
Operating and Electrical	
Input Voltage	220 to 240 V
Input Frequency	50 to 60 Hz
Controls and Dimming	
Dimmable	Yes
Mechanical and Housing	
Housing Material	Aluminum
Optical cover/lens material	Glass
Approval and Application	
Ingress protection code	IP66 [Dust penetration-protected, jet-proof]

Vaya Flood MP

Mech. impact protection code	IK06 [1 J]
------------------------------	-------------

Initial Performance (IEC Compliant)

Initial LED luminaire efficacy	45 lm/W
Init. Corr. Color Temperature	5000 K
Init. Color Rendering Index	80
Initial input power	73 W

Application Conditions

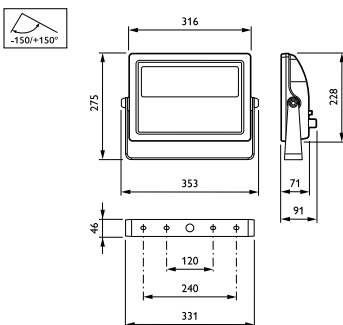
Ambient temperature range	-20 to +40 °C
---------------------------	---------------

Product Data

Full product code	871829160134099
-------------------	-----------------

Order product name	BCP415 30xLED-HB/5000 220-240 90 CE CQC
EAN/UPC - Product	8718291601340
Order code	910503704211
Numerator - Quantity Per Pack	1
Numerator - Packs per outer box	2
Material Nr. (12NC)	910503704211
Net Weight (Piece)	5.700 kg

Dimensional drawing



Vaya

