



# ColorGraze MX4 Powercore

## BCS559 10x60 RGBA L1219

RGBA - 10° x 60° - 1219 mm

High-output luminaire for high-intensity multi-story façade and surface illumination at minimal setback; RGBW and RGBA options provide an expanded color palette and white light capability in one fixture.

### Product data

General Information		Mechanical and Housing	
Lamp family code	LED-HB [ LED High Brightness]	Housing Material	Aluminum extruded
Light source color	RGBA	Optic material	Polycarbonate
Light source replaceable	No	Optical cover/lens material	Polycarbonate
Driver included	Yes	Length	1219 mm
Optical cover/lens type	PC [ Polycarbonate bowl/cover]	<b>Approval and Application</b>	
Luminaire light beam spread	10° x 60°	Ingress protection code	IP66 [ Dust penetration-protected, jet-proof]
Protection class IEC	Safety class I (I)	Mech. impact protection code	IK10 [ 20 J vandal-resistant]
CE mark	CE mark	<b>Initial Performance (IEC Compliant)</b>	
UL mark	UL mark	Initial luminous flux (system flux)	2172 lm
FCC mark	FCC Class A	Initial LED luminaire efficacy	27 lm/W
<b>Operating and Electrical</b>		Initial input power	74 W
Input Voltage	100 to 277 V	<b>Over Time Performance (IEC Compliant)</b>	
Input Frequency	50 to 60 Hz	Lumen Maintenance 50% at 25°C Reported	75000
<b>Controls and Dimming</b>		Lumen Maintenance 50% at 50°C Reported	70000
Dimmable	Yes	Lumen Maintenance 70% at 25°C Calculated	100000

## ColorGraz e MX4 Powercore

Lumen Maintenance 70% at 25°C Reported	70000
Lumen Maintenance 70% at 50°C Calculated	100000
Lumen Maintenance 70% at 50°C Reported	65000

### Application Conditions

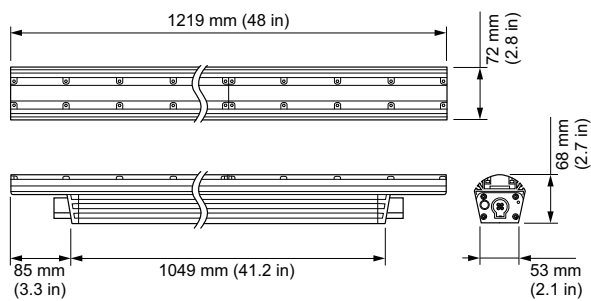
Ambient temperature range	-40 to +122 °F
---------------------------	----------------

### Product Data

Full product code	871829161973400
Order product name	BCS559 10x60 RGBA L1219

EAN/UPC - Product	8718291619734
Order code	910503704718
Local order code	.
Numerator - Quantity Per Pack	1
Numerator - Packs per outer box	1
Material Nr. (12NC)	910503704718
Net Weight (Piece)	4.700 kg

## Dimensional drawing



Graze

