



LuxSpace square, recessed

DN572B LED20S/840 PSED-VLC-E C WH

LuxSpace2 Square - LED Module, system flux 2000 lm - 840 neutral white - Power supply unit with DALI interface external, DC compatible for central emergency lighting - High-gloss mirror - White RAL 9003

Customers are looking to optimize all their resources, and that means not just their running costs (energy, etc.) but also their human resources. Energy savings are therefore a priority, but they must not have an adverse effect on the well-being of employees, who need a pleasant environment in order to be more productive, or on customers, who want to enjoy their shopping experience. LuxSpace provides the perfect combination of efficiency, light comfort and design, without compromising on lighting performance (color rendering and color uniformity). It offers a wide choice of options for creating the desired ambience, no matter the application.

Product data

General Information			
Number of light sources	1 [1 pc]	Driver/power unit/transformer	PSED-E [Power supply unit with DALI interface external, DC compatible for central emergency lighting]
Lamp family code	LED20S [LED Module, system flux 2000 lm]	Driver included	Yes
Light source colour	840 neutral white	Optic type	C [High-gloss mirror]
Cap base	- [-]	Optical cover/lens type	No [-]
Light source replaceable	No	Luminaire light beam spread	80°
Number of gear units	1 unit	Emergency lighting	No [-]
Gear	-	Control interface	DALI
		Connection	Push-in connector and pull relief

LuxSpace square, recessed

Cable	-
Protection class IEC	Safety class II
Glow-wire test	Temperature 850 °C, duration 5 s
Flammability mark	F [For mounting on normally flammable surfaces]
CE mark	CE mark
ENEC mark	ENEC mark
UL mark	No
Warranty period	5 years
Decorative accessories	No [-]
Remarks	*-Per Lighting Europe guidance paper "Evaluating performance of LED based luminaires - January 2018": statistically there is no relevant difference in lumen maintenance between B50 and for example B10. Therefore the median useful life (B50) value also represents the B10 value.
Constant light output	No
Number of products on MCB	24
RoHS mark	-
Product Family Code	DN572B [LuxSpace2 Square]
Unified glare rating CEN	19

Light Technical

Optical cover/lens type accessory	No [-]
-----------------------------------	--------

Operating and Electrical

Input voltage	220 to 240 V
Input frequency	50 to 60 Hz
Inrush current	20.4 A
Inrush time	0.195 ms
Power factor (min.)	0.9

Controls and Dimming

Dimmable	Yes
----------	-----

Mechanical and Housing

Housing configuration	No [-]
Housing material	Aluminium die-cast
Reflector material	Polycarbonate aluminium coated
Optic material	Polycarbonate
Optical cover/lens material	Glass
Fixation material	Steel

Optical cover/lens finish	Frosted
Overall length	214 mm
Overall width	214 mm
Overall height	119 mm
Colour	White RAL 9003

Approval and Application

Ingress protection code	IP20 [Finger-protected]
Mech. impact protection code	IK02 [0.2 J standard]

Initial Performance (IEC Compliant)

Initial luminous flux	2100 lm
Luminous flux tolerance	+/-10%
Initial LED luminaire efficacy	121 lm/W
Init. Corr. colour temperature	4000 K
Init. colour rendering index	>80
Initial chromaticity	(0.38, 0.37) SDCM <3
Initial input power	17.4 W
Power consumption tolerance	+/-10%

Over Time Performance (IEC Compliant)

Control gear failure rate at median useful life 50000 h	5 %
Lumen maintenance at median useful life* 50000 h	L90

Application Conditions

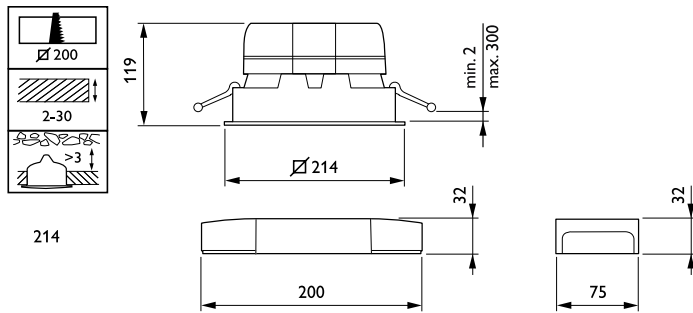
Ambient temperature range	+10 to +25 °C
Performance ambient temperature Tq	25 °C
Maximum dimming level	1%

Product Data

Full product code	871829194028900
Order product name	DN572B LED20S/840 PSED-VLC-E C WH
EAN/UPC – product	8718291940289
Order code	94028900
Numerator – quantity per pack	1
Numerator – packs per outer box	1
Material no. (12NC)	910503706592
Net weight (piece)	1.480 kg

LuxSpace square, recessed

Dimensional drawing



LuxSpace gen2 DN570B-DN572B

