



LuxSpace PoE

DN572B LED20S/830 POE C WH

LuxSpace2 Square - LED Module, system flux 2000 lm - 830 warm white - Luminaire controller with power over Ethernet - High-gloss mirror - RJ45 connector - White RAL 9003

With Power-over-Ethernet (PoE) technology, LuxSpace PoE receives power and data over a single standard Ethernet cable, eliminating the need for separate power cabling. With the simple click of a connector, LuxSpace PoE luminaires become part of a complete, integrated connected lighting system, delivering extraordinary illumination experiences and value beyond illumination. A built-in lighting and control system gives office users personal control over their preferred light settings via a specially designed smartphone app. With integrated sensors, LuxSpace PoE luminaires can track activity patterns, daylight levels, and in the near future humidity, CO2, temperature, or other data. This data allows facility managers to gain deep insight into building operations, helping them optimize the delivery of resources, enhance the experience and performance of occupants, and support improved asset management.

Product data

General Information		Optic type	High-gloss mirror
Lamp family code	LED20S [LED Module, system flux 2000 lm]	Luminaire light beam spread	80°
Light source color	830 warm white	Control interface	Power over Ethernet
Cap-Base	- [-]	Connection	RJ45 connector
Light source replaceable	No	Cable	-
Number of gear units	1 unit	Protection class IEC	Safety class III
Gear	-	Glow-wire test	Temperature 850 °C, duration 5 s
Driver/power unit/transformer	Luminaire controller with power over Ethernet	Flammability mark	For mounting on normally flammable surfaces
Driver included	Yes	CE mark	CE mark

LuxSpace PoE

ENEC mark	ENEC mark
UL mark	-
Warranty period	5 years
Remarks	*-Per Lighting Europe guidance paper "Evaluating performance of LED based luminaires - January 2018": statistically there is no relevant difference in lumen maintenance between B50 and for example B10. Therefore the median useful life (B50) value also represents the B10 value.
Constant light output	No
Number of products on MCB of 16 A type B	-
RoHS mark	-
Product family code	DN572B [LuxSpace2 Square]
Unified glare rating CEN	19

Operating and Electrical

Input Voltage	48 to 54 V
Input Frequency	50 to 60 Hz
Inrush current	5 A
Inrush time	1 ms
Power Factor (Min)	1

Controls and Dimming

Dimmable	Yes
----------	-----

Mechanical and Housing

Housing Material	Aluminum die cast
Reflector material	Polycarbonate aluminum coated
Optic material	Polycarbonate
Optical cover/lens material	Glass
Fixation material	Steel
Optical cover/lens finish	Frosted
Overall length	214 mm
Overall width	214 mm
Overall height	119 mm
Color	White RAL 9003

Approval and Application

Ingress protection code	IP20 [Finger-protected]
Mech. impact protection code	IK02 [0.2 J standard]

Initial Performance (IEC Compliant)

Initial luminous flux (system flux)	2000 lm
Luminous flux tolerance	+/-10%
Initial LED luminaire efficacy	132 lm/W
Init. Corr. Color Temperature	3000 K
Init. Color Rendering Index	>80
Initial chromaticity	(0.43, 0.40) SDCM <3
Initial input power	15.2 W
Power consumption tolerance	+/-10%

Over Time Performance (IEC Compliant)

Control gear failure rate at median useful life 50000 h	5 %
Lumen maintenance at median useful life* L90 50000 h	

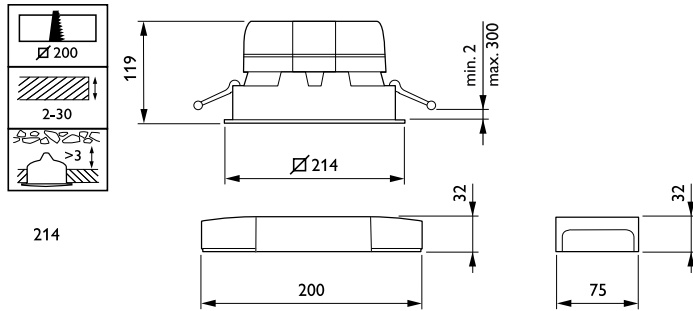
Application Conditions

Ambient temperature range	+10 to +25 °C
Performance ambient temperature Tq	25 °C
Maximum dim level	1%
Suitable for random switching	Yes

Product Data

Full product code	871829194361700
Order product name	DN572B LED20S/830 POE C WH
EAN/UPC - Product	8718291943617
Order code	910503706674
Numerator - Quantity Per Pack	1
Numerator - Packs per outer box	1
Material Nr. (12NC)	910503706674
Net Weight (Piece)	1.400 kg

Dimensional drawing



LuxSpace gen2 DN570B-DN572B

