



# LuxSpace, recessed

## DN571B LED40S/TWH PSED-E C WH

LUXSPACE 2 COMPACT LOW HEIGHT - LED Module, system flux 3800 lm - Tunable white - Power supply unit with DALI interface, DC-compatible, external - High-gloss mirror - Push-in connector and pull relief - White RAL 9003

Customers are looking to optimize all their resources, and that means not just their running costs (energy, etc.) but also their human resources. Energy savings are therefore a priority, but they must not have an adverse effect on the well-being of employees, who need a pleasant environment in order to be more productive, or on customers, who want to enjoy their shopping experience. LuxSpace provides the perfect combination of efficiency, light comfort and design, without compromising on lighting performance (color rendering and color uniformity). It offers a wide choice of options for creating the desired ambience, no matter the application. For office applications LuxSpace supports the general feeling of health and wellbeing having dedicated Tunable White products

### Product data

General Information			
Number of light sources	1 pc	Optic type	High-gloss mirror
Lamp family code	LED38S [ LED Module, system flux 3800 lm]	Luminaire light beam spread	70°
Light source color	Tunable white	Control interface	DALI
Cap-Base	- [ -]	Connection	Push-in connector and pull relief
Light source replaceable	No	Cable	-
Number of gear units	1 unit	Protection class IEC	Safety class I
Gear	-	Glow-wire test	Temperature 850 °C, duration 5 s
Driver/power unit/transformer	Power supply unit with DALI interface, DC-compatible, external	Flammability mark	For mounting on normally flammable surfaces
Driver included	Yes	CE mark	CE mark
		ENEC mark	ENEC mark

## LuxSpace, recessed

UL mark	-
Warranty period	5 years
Remarks	*-Per Lighting Europe guidance paper "Evaluating performance of LED based luminaires - January 2018": statistically there is no relevant difference in lumen maintenance between B50 and for example B10. Therefore the median useful life (B50) value also represents the B10 value.
Constant light output	No
Number of products on MCB of 16 A type B	17
RoHS mark	-
Product family code	DN570B [ LUXSPACE 2 COMPACT LOW HEIGHT]
Unified glare rating CEN	19

### Operating and Electrical

Input Voltage	220/240 V
Input Frequency	50 or 60 Hz
Inrush current	49 A
Inrush time	0.154 ms
Power Factor (Min)	0.9

### Controls and Dimming

Dimmable	Yes
----------	-----

### Mechanical and Housing

Housing configuration	Basic version
Housing Material	Aluminum die cast
Reflector material	Polycarbonate aluminum coated
Optic material	Polycarbonate
Optical cover/lens material	Polycarbonate
Fixation material	Steel
Optical cover/lens finish	Frosted
Overall height	119 mm
Overall diameter	214 mm
Color	White RAL 9003
Dimensions (Height x Width x Depth)	119 x NaN x NaN mm (4.7 x NaN x NaN in)

### Approval and Application

Ingress protection code	IP20 [ Finger-protected]
Mech. impact protection code	IK02 [ 0.2 J standard]

### Initial Performance (IEC Compliant)

Initial luminous flux (system flux)	3700 lm
Luminous flux tolerance	+/-10%
Initial LED luminaire efficacy	107 lm/W
Init. Corr. Color Temperature	2700 to 6500 K
Init. Color Rendering Index	>80
Initial chromaticity	-
Initial input power	34.5 W
Power consumption tolerance	+/-10%

### Over Time Performance (IEC Compliant)

Control gear failure rate at median useful life 50000 h	5 %
Lumen maintenance at median useful life* 50000 h	L90

### Application Conditions

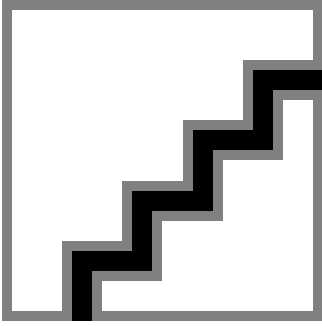
Ambient temperature range	+10 to +25 °C
Performance ambient temperature Tq	25 °C
Maximum dim level	1%
Suitable for random switching	Yes

### Product Data

Full product code	871829194391400
Order product name	DN571B LED40S/TWH PSED-E C WH
EAN/UPC - Product	8718291943914
Order code	910503706704
Numerator - Quantity Per Pack	1
Numerator - Packs per outer box	1
Material Nr. (12NC)	910503706704
Net Weight (Piece)	1.930 kg

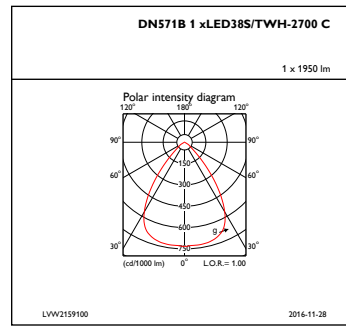
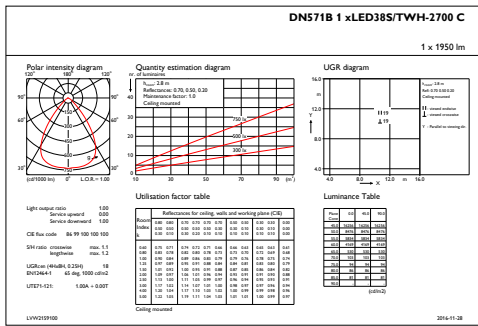


Dimensional drawing



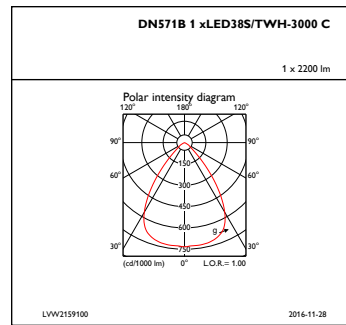
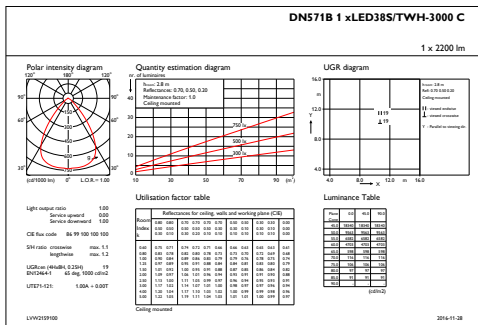
LuxSpace gen2 DN570B-DN572B

Photometric data



IFGU1\_DN571B1xLED38STWH-2700C

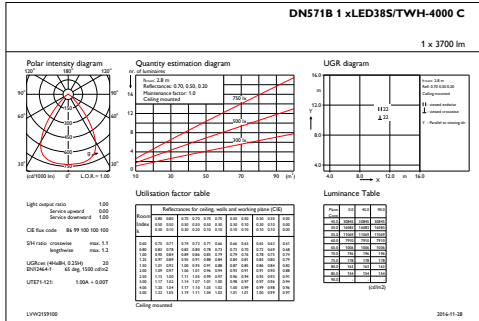
IFPC1\_DN571B1xLED38STWH-2700C



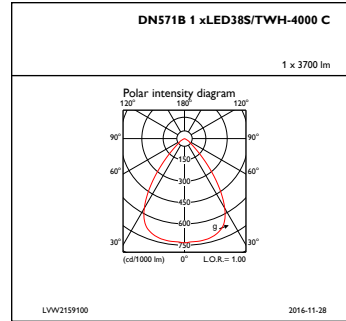
IFGU1\_DN571B1xLED38STWH-3000C

IFPC1\_DN571B1xLED38STWH-3000C

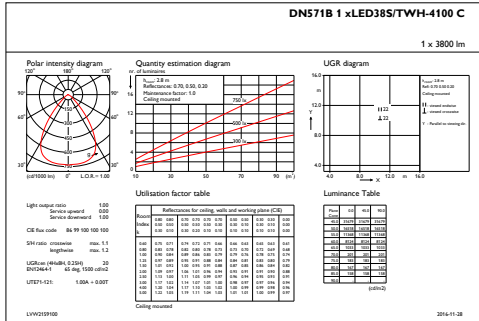
Photometric data



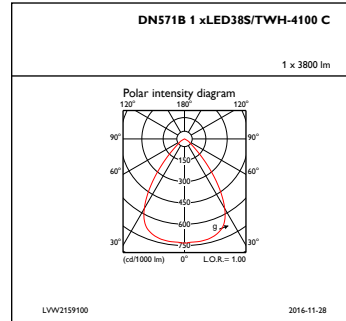
IFGU1\_DN571B1xLED38STWH-4000C



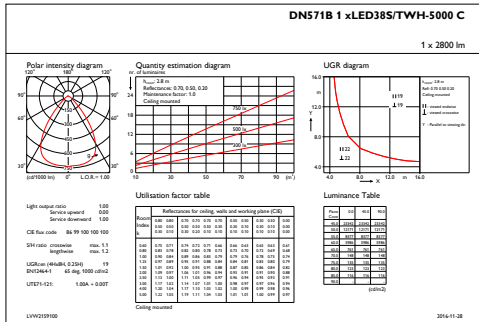
IFPC1\_DN571B1xLED38STWH-4000C



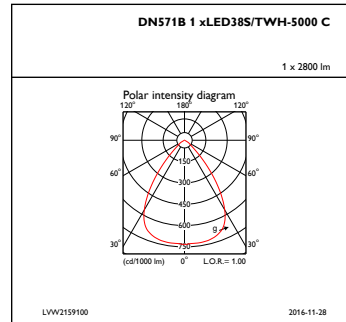
IFGU1\_DN571B1xLED38STWH-4100C



IFPC1\_DN571B1xLED38STWH-4100C

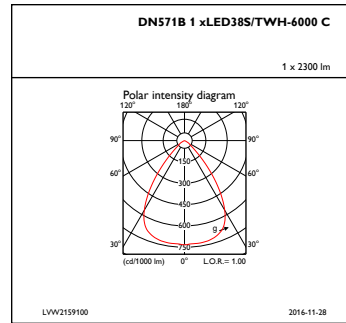
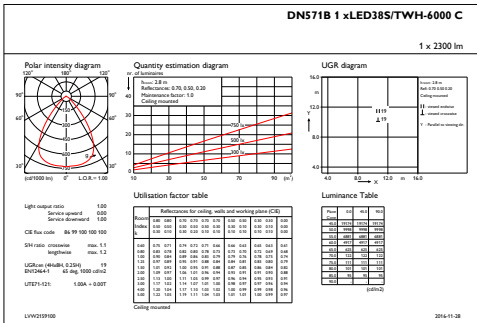


IFGU1\_DN571B1xLED38STWH-5000C



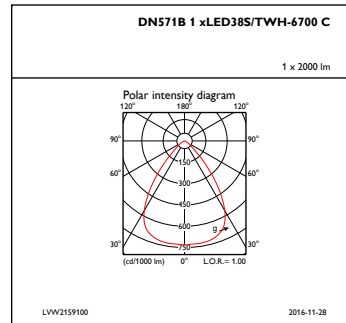
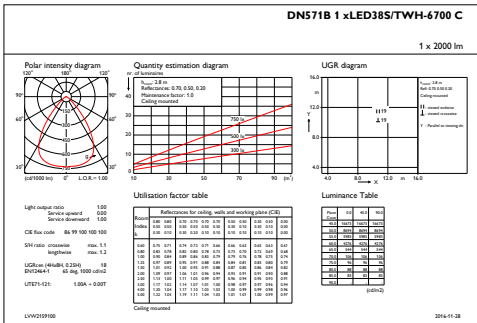
IFPC1\_DN571B1xLED38STWH-5000C

Photometric data



IFGU1\_DN571B1xLED38STWH-6000C

IFPC1\_DN571B1xLED38STWH-6000C



IFGU1\_DN571B1xLED38STWH-6700C

IFPC1\_DN571B1xLED38STWH-6700C

