



Iridium SGS252/452

SGS452 SON-T70W K EB I CR FG FM GR P1

IRIDIUM - SON-T - 70 W - Electronic - Closed CT-POT - Flat glass

Iridium is a family of road-lighting luminaires designed for three main applications – residential areas and minor roads, major roads and motorways. Its modularity allows the integration of optical or electronic components in order to adapt to the changing demands of road lighting, e.g. the growing demand for white light and controls. Iridium ensures low cost of ownership thanks to its superior optics, dimming and Telemangement capability, and ease of installation and maintenance. The Iridium luminaire family includes MASTERColour CDM Elite MW, CosmoPolis and LED-enabled versions. It comes in four different sizes – for mounting heights from 3.5 to 12 meters – and is suitable for side-entry and post-top mounting. A full range of brackets ensures visual consistency between the column and the gently rounded luminaire, making Iridium a total solution. Each Iridium luminaire is fully recyclable; only the light source and driver have to be recycled separately.

Product data

General Information	
Number of light sources	1 [1 pc]
Lamp family code	SON-T [SON-T]
Lamp power	70 W
Kombipack	Lamp(s) included
Compensation circuit	-
Gear	EB [Electronic]
Optical cover/lens type	FG [Flat glass]
Electrical circuit protection	-
Cable	-
Protection class IEC	Safety class I

Parts colour	-
CE mark	CE mark
ENEC mark	ENEC mark
Outdoor optic type	Closed CT-POT
Coloured frame	Frame metallised
RAL colour	-
Filter coil	-
Photocell	P1 [NEMA socket for photocell]
Product Family Code	SGS452 [IRIDIUM]

Iridium SGS252/452

Light Technical

Standard tilt angle post-top	5°
Standard tilt angle side entry	5°

Operating and Electrical

Input voltage	240 V
Ignitor	No [-]

Mechanical and Housing

Mounting device	No [-]
Overall height	187 mm
Colour	Grey

Approval and Application

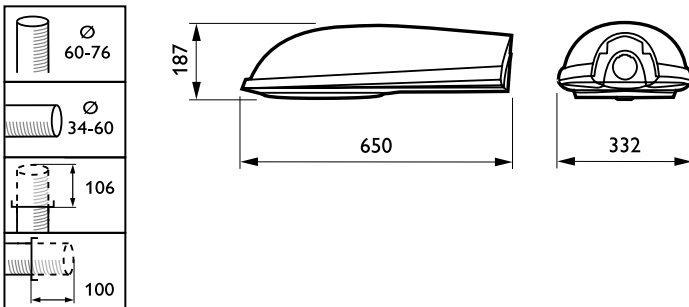
Ingress protection code	IP66 [Dust penetration-protected, jet-proof]
-------------------------	---

Mech. impact protection code	IK08 [5 J vandal-protected]
------------------------------	------------------------------

Product Data

Full product code	872790060948600
Order product name	SGS452 SON-T70W K EB I CR FG FM GR P1
EAN/UPC – product	8727900609486
Order code	60948600
Numerator – quantity per pack	1
Numerator – packs per outer box	1
Material no. (12NC)	910503716318
Net weight (piece)	8.440 kg

Dimensional drawing



Iridium SGS252

