



CoreLine Projector

ST120C LED8S-24-/830 PSU BK

CORELINE PROJECTOR, LED Module, system flux 800 lm, 24 degree(s), 830 warm white, Power supply unit (On/Off), Black

The CoreLine Projector is designed to replace halogen and CDM-standard-based projectors for retail and hospitality applications. This track based luminaire supports retailers to let their products stand out, or highlight certain objects. The clean design with integrated driver, and choice in 23 or 36 degree beam angle makes the CoreLine Projector relevant to many applications.

Product data

General Information		ENEC mark	
Lamp family code	LED8S [LED Module, system flux 800 lm]	ENEC mark	-
Light source replaceable	No	Glow-wire test	Temperature 650 °C, duration 5 s
Number of gear units	1 unit	EU RoHS compliant	Yes
Driver included	Yes	Light Technical	
Remarks	*-Per Lighting Europe guidance paper "Evaluating performance of LED based luminaires - January 2018": statistically there is no relevant difference in lumen maintenance between B50 and for example B10. Therefore, the median useful life (B50) value also represents the B10 value.	Luminous Flux	800 lm
Product family code	ST120C [CORELINE PROJECTOR]	Correlated Color Temperature (Nom)	3000 K
Lighting Technology	LED	Luminous Efficacy (rated) (Nom)	73 lm/W
Value ladder	Value	Color rendering index (CRI)	80
CE mark	Yes	Number of light sources	1
Warranty period	3 years + 2 years upon registration	Beam angle of light source	24 degree(s)
Flammability mark	-	Light source color	830 warm white
		Optic type	Beam angle 24°
		Luminaire light beam spread	24°
		Operating and Electrical	
		Input Voltage	220 to 240 V
		Line Frequency	50 to 60 Hz

CoreLine Projector

Inrush current	3.4 A
Inrush time	28 ms
Power Consumption	11 W
Power Factor (Fraction)	0.9
Connection	Screw connection block 3-pole
Cable	-
Number of products on MCB of 16 A type	40
B	

Temperature

Ambient temperature range	0 to +35 °C
---------------------------	-------------

Controls and Dimming

Dimmable	No
Driver/power unit/transformer	Power supply unit (On/Off)
Constant light output	No

Mechanical and Housing

Housing Material	Aluminum
Reflector material	-
Optic material	Polymethyl methacrylate
Optical cover material	Polymethyl methacrylate
Fixation material	-
Housing Color	Black
Optical cover finish	Textured
Overall length	138 mm
Overall width	77 mm
Overall height	147 mm
Overall diameter	77 mm

Dimensions (Height x Width x Depth)	147 x 77 x 138 mm
-------------------------------------	-------------------

Approval and Application

Ingress protection code	IP20 [Finger-protected]
Mech. impact protection code	IK02 [0.2 J standard]
Protection class IEC	Safety class I

Initial Performance (IEC Compliant)

Luminous flux tolerance	+/-10%
Initial chromaticity	(0.43, 0.40) SDCM<3
Power consumption tolerance	+/-10%

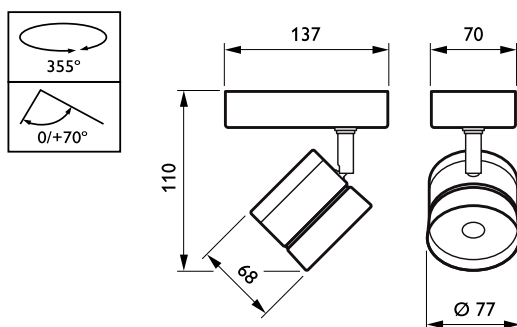
Application Conditions

Performance ambient temperature Tq	25 °C
Suitable for random switching	No

Product Data

Order product name	ST120C LED8S-24-/830 PSU BK
Full product name	ST120C LED8S-24-/830 PSU BK
Full product code	871869606944899
Order code	910503910090
Material Nr. (12NC)	910503910090
Numerator - Quantity Per Pack	1
EAN/UPC - Product/Case	8718696069448
Numerator - Packs per outer box	12
EAN/UPC - Case	8718696069523

Dimensional drawing



CoreLine Projector

