

# CoreLine panel

## RC132V LED36S/840 PSU W60L60 NOC

CoreLine panel, 33 W, 600x600 mm, 3600 lm, 4000 K

Philips CoreLine panel Gen5 delivers on the CoreLine promise of innovation, easy installation and excellent illumination. Designed as a direct replacement for functional luminaires in general lighting applications, this LED panel light's innovative MultiLumen feature offers a choice of three lumen packages in a single luminaire. This makes it easy to select the right product, gives you the flexibility respond to customer preferences on site, and means fewer product codes on stock. Installing this CoreLine RC132V LED panel is quick and easy too, thanks to a quick connector or Wieland connector. Interact Ready luminaires with integrated wireless communications are also available in this CoreLine range, ready to be used with Interact gateways, sensors and software.

### Product data

General Information	
Lamp family code	LED36S [LED module, system flux 3600 lm]
Light source replaceable	No
Number of gear units	1 unit
Driver included	Yes
Remarks	*-Per Lighting Europe guidance paper "Evaluating performance of LED based luminaires - January 2018": statistically there is no relevant difference in lumen maintenance between B50 and for example B10. Therefore, the median useful life (B50) value also represents the B10 value.
Service tag	Yes
Lighting Technology	LED
Value ladder	Performance

CE mark	Yes
Warranty period	5 years
Flammability mark	For mounting on normally flammable surfaces
ENEC mark	ENEC mark
Glow-wire test	Temperature 650 °C, duration 30 s
EU RoHS compliant	Yes
Light Technical	
Luminous Flux	3,600 lm
Correlated Color Temperature (Nom)	4000 K
Luminous Efficacy (rated) (Nom)	110 lm/W
Color rendering index (CRI)	≥80
Beam angle of light source	120 degree(s)
Light source color	840 neutral white

## CoreLine panel

Optic type	-
Luminaire light beam spread	110°
Unified glare rating CEN	22

### Operating and Electrical

Input Voltage	220-240 V
Line Frequency	50 to 60 Hz
Average CLO power consumption	33 W
Inrush current	6 A
Inrush time	0.3 ms
Power Consumption	33 W
Power Factor (Fraction)	0.9
Connection	Push-in connector and pull relief
Cable	Cable 0.25 m with push-in connector 3-pole
Number of products on MCB of 16 A type B	24

### Temperature

Ambient temperature range	+10 to +40 °C
---------------------------	---------------

### Controls and Dimming

Dimmable	No
Driver/power unit/transformer	Power supply unit (On/Off)
Constant light output	Yes

### Mechanical and Housing

Housing Material	Aluminum
Reflector material	-
Optic material	Polymethyl methacrylate
Optical cover material	Polymethyl methacrylate
Fixation material	Aluminum
Housing Color	White
Optical cover finish	Opal
Overall length	597 mm
Overall width	597 mm
Overall height	32 mm

Dimensions (Height x Width x Depth)	32 x 597 x 597 mm
-------------------------------------	-------------------

### Approval and Application

Ingress protection code	IP20/44 [Finger-protected; wire-protected, splash-proof]
Mech. impact protection code	IK03 [0.3 J]
Sustainability rating	-
Protection class IEC	Safety class II

### Initial Performance (IEC Compliant)

Luminous flux tolerance	+/-10%
Initial chromaticity	(0.38, 0.38) SDCM <3
Power consumption tolerance	+/-10%

### Over Time Performance (IEC Compliant)

Control gear failure rate at median useful life 50000 h	5 %
Lumen maintenance at median useful life* 50000 h	L75

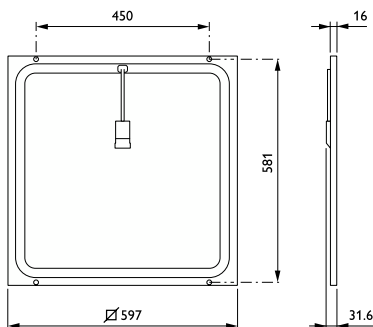
### Application Conditions

Performance ambient temperature Tq	25 °C
Suitable for random switching	Not applicable

### Product Data

Order product name	RC132V LED36S/840 PSU W60L60 NOC
Full product name	RC132V LED36S/840 PSU W60L60 NOC
Full product code	871869938095300
Order code	910503910307
Material Nr. (12NC)	910503910307
Numerator - Quantity Per Pack	1
EAN/UPC - Product/Case	8718699380953
Numerator - Packs per outer box	1
EAN/UPC - Case	8718699380953

## Dimensional drawing



## CoreLine panel

