



CoreLine Panel

RC132V LED34S/830 PSU W60L60 OC

830 warm white - Power supply unit

Whether for a new building or renovation of an existing space, customers want lighting solutions that provide quality of light and substantial energy and maintenance savings. The new CoreLine Panel range of LED products can be used to replace functional luminaires in general lighting applications. Both Non-Office Compliant (NOC) version and Office Compliant version (OC) are now available. The process of selecting, installing and maintaining is so easy – it’s a simple switch. Also available as an Interact Ready wireless CoreLine luminaire panel that works with Interact Pro lighting software and InteractReady devices to provide a connected lighting system for SMEs

Product data

General Information		CE mark	CE mark
Beam angle of light source	120 °	ENEC mark	ENEC mark
Light source colour	830 warm white	Warranty period	5 years
Light source replaceable	No	Remarks	*-Per Lighting Europe guidance paper "Evaluating performance of LED based luminaires - January 2018": statistically there is no relevant difference in lumen maintenance between B50 and for example B10. Therefore the median useful life (B50) value also represents the B10 value.
Number of gear units	1 unit	Constant light output	Yes
Driver/power unit/transformer	PSU [Power supply unit]	Number of products on MCB	24
Driver included	Yes	RoHS mark	RoHS mark
Optic type	No [-]	Unified glare rating CEN	19
Luminaire light beam spread	90°		
Control interface	-		
Connection	Push-in connector and pull relief		
Cable	Cord 0.25 m with push-in connector		
Protection class IEC	Safety class II		
Glow-wire test	Temperature 650 °C, duration 30 s		
Flammability mark	F [For mounting on normally flammable surfaces]		

CoreLine Panel

Operating and Electrical

Input voltage	220 to 240 V
Input frequency	50 to 60 Hz
Average CLO power consumption	33 W
Inrush current	6 A
Inrush time	0.3 ms
Power factor (min.)	0.9

Controls and Dimming

Dimmable	No
----------	----

Mechanical and Housing

Housing material	Aluminium
Reflector material	-
Optic material	Polymethyl methacrylate
Optical cover/lens material	Polymethyl methacrylate
Fixation material	Aluminum
Optical cover/lens finish	Opal
Overall length	597 mm
Overall width	597 mm
Overall height	32 mm
Colour	White

Approval and Application

Ingress protection code	IP20/44 [Finger-protected; wire-protected, splash-proof]
Mech. impact protection code	IK03 [0.3 J]

Initial Performance (IEC Compliant)

Initial luminous flux	3400 lm
Luminous flux tolerance	+/-10%

Initial LED luminaire efficacy	105 lm/W
Init. Corr. colour temperature	3000 K
Init. colour rendering index	≥80
Initial chromaticity	(0.38, 0.38) SDCM <3
Initial input power	33 W
Power consumption tolerance	+/-10%

Over Time Performance (IEC Compliant)

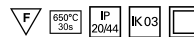
Control gear failure rate at median useful life 50000 h	5 %
Lumen maintenance at median useful life* 50000 h	L75

Application Conditions

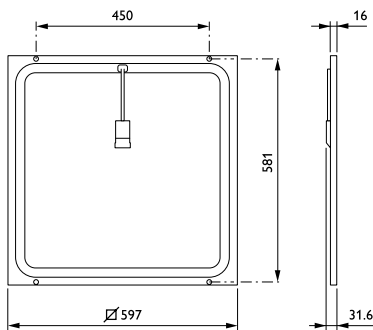
Ambient temperature range	+10 to +40 °C
Performance ambient temperature Tq	25 °C
Maximum dimming level	Not applicable
Suitable for random switching	Not applicable

Product Data

Full product code	871869938099100
Order product name	RC132V LED34S/830 PSU W60L60 OC
EAN/UPC – product	8718699380991
Order code	38099100
Numerator – quantity per pack	1
Numerator – packs per outer box	1
Material no. (12NC)	910503910311
Net weight (piece)	2.750 kg



Dimensional drawing



CoreLine Panel RC132V/RC133V

CoreLine Panel

