



SmartBalance, suspended

SP480P LED35S/840 PSD ACC-MLO SM2

SmartBalance Suspended Mounted - LED Module, system flux 3500 lm - 840 neutral white - Power supply unit with DALI interface - Acrylate micro-lens optic clear - Suspension set 2-wire

Although in many cases the functional lighting performance is key, customers are also keen to apply luminaires that are attractive and/or unobtrusive. Especially in applications where luminaires need to be surface-mounted or suspended, it can be difficult to satisfy both these requirements. SmartBalance is clearly the next step in surface-mounted and suspended luminaires for the specification market. It not only offers increased energy efficiency, but is also visually appealing without being intrusive. And its design helps to minimise clutter on the ceiling and meets all relevant office norms.

Product data

General Information		Driver included	Yes
Number of light sources	1 [1 pc]	Optic type	No [-]
Lamp family code	LED35S [LED Module, system flux 3500 lm]	Optical cover/lens type	ACC-MLO [Acrylate micro-lens optic clear]
Beam angle of light source	- °	Luminaire light beam spread	100°
Lamp colour code	840 neutral white	Emergency lighting	No [-]
Cap base	- [-]	Embedded control	No [-]
Light source replaceable	No	Control interface	DALI
Number of gear units	1 unit	Connection	PI [Push-in connector 3-pole]
Gear	-	Cable	Cable 1.7 m without plug 5-pole white
Driver/power unit/transformer	PSD [Power supply unit with DALI interface]	Protection class IEC	Safety class I (I)

SmartBalance, suspended

Mounting	SM2 [Suspension set 2-wire]
Glow-wire test	650/5 [Temperature 650 °C, duration 5 s]
Flammability mark	F [For mounting on normally flammable surfaces]
CE mark	CE mark
ENEC mark	ENEC plus mark
UL mark	No
Warranty period	5 years
Remarks	*-Per Lighting Europe guidance paper "Evaluating performance of LED based luminaires - January 2018": statistically there is no relevant difference in lumen maintenance between B50 and for example B10. Therefore the median useful life (B50) value also represents the B10 value.
Constant light output	No
Number of products on MCB	20
RoHS mark	RoHS mark
Accessory PFC	N/A
Product Family Code	SP480P [SmartBalance Suspended Mounted]
Unified glare rating CEN	16

Operating and Electrical

Input voltage	220 to 240 V
Input frequency	50 to 60 Hz
Control signal voltage	0-16 V DC DALI
Inrush current	48 A
Inrush time	0.180 ms
Power factor (min.)	0,9

Controls and Dimming

Dimmable	Yes
----------	-----

Mechanical and Housing

Geometry	W24L134 [Width 0.24 m, length 1.34 m]
Housing material	Polycarbonate
Reflector material	-
Optic material	-
Optical cover/lens material	Acrylate
Gear tray material	Steel
Fixation material	Steel
Optical cover/lens finish	Textured
Overall length	1340 mm

Overall width	240 mm
Overall height	50 mm
Colour	White

Approval and Application

Ingress protection code	IP40 [Wire-protected]
Mech. impact protection code	IK02 [0.2 J standard]

Initial Performance (IEC Compliant)

Initial luminous flux	3500 lm
Luminous flux tolerance	+/-10%
Initial LED luminaire efficacy	117 lm/W
Lamp colour temperature	4000 K
Colour Rendering Index	>80
Initial chromaticity	(0.38, 0.38) SDCM <3
Initial input power	30 W
Power consumption tolerance	+/-10%

Over Time Performance (IEC Compliant)

Control gear failure rate at median useful life 50000 h	5 %
Lumen maintenance at median useful life* 50000 h	L85

Application Conditions

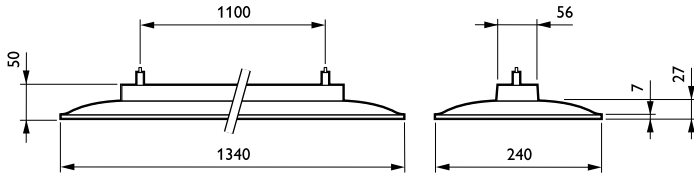
Ambient temperature range	+10 to +40 °C
Performance ambient temperature Tq	25 °C
Maximum dimming level	1%
Suitable for random switching	No

Product Data

Full product code	871829126757700
Order product name	SP480P LED35S/840 PSD ACC-MLO SM2
EAN/UPC – product	8718291267577
Order code	910504083703
Numerator – quantity per pack	1
Numerator – packs per outer box	1
Material no. (12NC)	910504083703
Net weight (piece)	4.500 kg

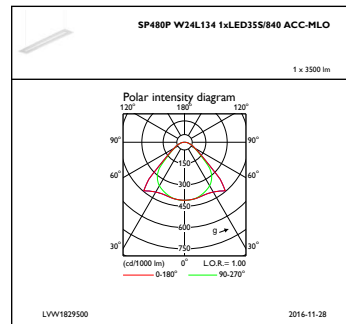
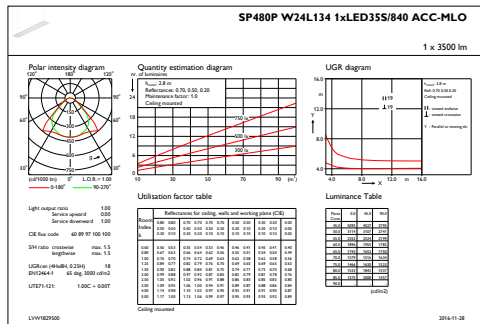
SmartBalance, suspended

Dimensional drawing



SmartBalance SP480P/SP482P

Photometric data



IFGU1_SP480PW24L1341xLED35S840ACC-MLO

IFPC1_SP480PW24L1341xLED35S840ACC-MLO

