



CityCharm Cordoba

BDS490 LWFP GRN40-/740 I DM GRB GR CLO C

CityCharm Cordoba - LED GreenLine 4000 lm - Distribution medium - Constant light output

CityCharm Cordoba is designed for use in urban areas where comfortable lighting, ambiance and design play an important role. Its unobtrusive appearance makes it a timeless, future-proof luminaire that is ideal for residential areas, parks, footpaths and cycle lanes, where visual comfort and maximum efficiency are key. CityCharm offers a choice of two iconic designs (Cordoba and Cone) and various accessories, enabling you to create a lighting solution that carries your signature, both by day and by night. CityCharm luminaires are also available as a complete set, with a choice of dedicated poles and brackets.

Product data

General Information		Control interface	GPRS network
Number of light sources	20 [20 pcs]	Light regulation	-
Lamp family code	GRN40 [LED GreenLine 4000 lm]	Electrical circuit protection	-
Light source colour	740 neutral white	Connection	Flying leads/wires
Light source replaceable	Yes	Cable	Cable 0.2 m without plug
Number of gear units	1 unit	Protection class IEC	Safety class I
Gear	EB [Electronic]	Coating	-
Driver/power unit/transformer	PSR-CLO [Power supply unit regulating with constant light output]	Glow-wire test	Temperature 650 °C, duration 30 s
Driver included	Yes	Flammability mark	NO [-]
Decorative spill light	Gray bowl	CE mark	CE mark
Optical element	No [-]	ENEC mark	ENEC mark
Optical cover/lens type	PC [Polycarbonate bowl/cover]	Warranty period	5 years
Luminaire light beam spread	360°	Outdoor optic type	Distribution medium
Embedded control	CLO [Constant light output]	Remarks	* At extreme ambient temperatures the luminaire might automatically dim down to protect components

CityCharm Cordoba

Constant light output	Yes
Spare parts available	Yes
Number of products on MCB	32
Photobiological risk	Risk group 1
Product recyclability	56%
RoHS mark	RoHS mark
WEEE mark	WEEE mark
LED engine type	LED
Product Family Code	BDS490 [CityCharm Cordoba]

Light Technical

Upward light output ratio	0.03
Initial luminous flux at 15°C	4000 lm
Initial luminous flux at 25°C	4000 lm
Initial luminous flux at 35°C	4000 lm
Standard tilt angle post-top	0°
Standard tilt angle side entry	0°

Operating and Electrical

Input voltage	220 to 240 V
Input frequency	50 to 60 Hz
Initial CLO power consumption	23.2 W
Average CLO power consumption	26.1 W
End CLO power consumption	29 W
Inrush current	27 A
Inrush time	15 ms
Driver current	470 mA
Power factor (min.)	0.8
Power factor (nom.)	0.9

Controls and Dimming

Dimmable	Yes
----------	-----

Mechanical and Housing

Housing material	Aluminium
Reflector material	-
Optic material	Polycarbonate
Optical cover/lens material	Polycarbonate
Fixation material	Aluminum

Mounting device	76 [Spigot for diameter 76 mm]
Optical cover/lens shape	Hemispherical
Optical cover/lens finish	Clear
Torque	25
Overall height	529 mm
Overall diameter	556 mm
Effective projected area	0.1124 m ²
Colour	Grey

Approval and Application

Ingress protection code	IP66 [Dust penetration-protected, jet-proof]
Mech. impact protection code	IK10 [20 J vandal-resistant]

Initial Performance (IEC Compliant)

Initial luminous flux	3396 lm
Luminous flux tolerance	+/-10%
Initial LED luminaire efficacy	117 lm/W
Init. Corr. colour temperature	4000 K
Init. colour rendering index	≥70
Initial chromaticity	(0.380, 0.370) SDCM <3
Initial input power	29 W
Power consumption tolerance	+/-10%

Application Conditions

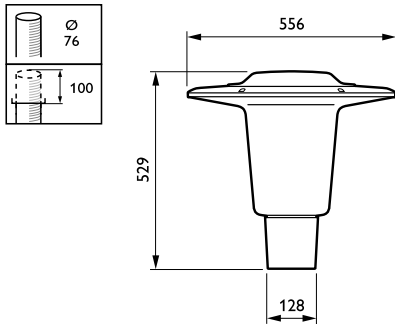
Ambient temperature range	-40 to +50 °C
Maximum dimming level	10%

Product Data

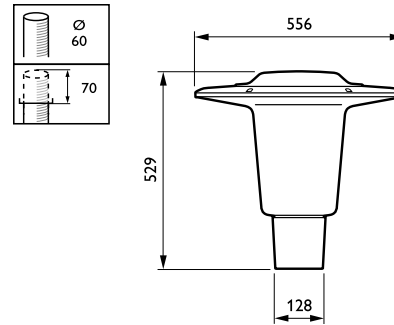
Full product code	871869692130200
Order product name	BDS490 LWFP GRN40-/740 I DM GRB GR CLO C
EAN/UPC – product	8718696921302
Order code	92130200
Numerator – quantity per pack	1
Numerator – packs per outer box	1
Material no. (12NC)	910505017146
Net weight (piece)	12.000 kg

CityCharm Cordoba

Dimensional drawing



CityCharm BDS490/491



CityCharm BDS490/491

