



# ProFlood LED

## BCP608 LED55/740 II EB SHUT GR10714 MSP

PROFLOOD LED - 1 pc - LED Multi-die - LED - Electronic Standard - Power supply unit regulating with constant light output - Symmetrical - Tempered glass - 40° - - - Mounting bracket adjustable

ProFlood LED is a waterproof projector allowing both image projection and creative light framing – a powerful tool that gives display lighting designers great creative freedom. They can adjust the projector's output to precisely match the surroundings or to create a particular effect, virtually 'sculpting' the light.

### Product data

General Information		Glow-wire test	
Number of light sources	1 pc	Flammability mark	-
Lamp family code	LED-MD [ LED Multi-die]	CE mark	CE mark
Light source color	740 neutral white	ENEC mark	-
Light source replaceable	No	UL mark	-
Number of gear units	1 unit	Warranty period	1 years
Gear	EBS [ Electronic Standard]	Optic type outdoor	Symmetrical
Driver/power unit/transformer	Power supply unit regulating with constant light output	Remarks	* -Per Lighting Europe guidance paper "Evaluating performance of LED based luminaires - January 2018": statistically there is no relevant difference in lumen maintenance between B50 and for example B10. Therefore the median useful life (B50) value also represents the B10 value. * At extreme ambient temperatures the luminaire might automatically dim down to protect components
Driver included	Yes		
Optical cover/lens type	Tempered glass		
Luminaire light beam spread	40°		
Control interface	-		
Connection	Connection unit 3-pole		
Cable	-		
Protection class IEC	Safety class II		
Color choice	Dark gray 10714		

## ProFlood LED

Constant light output	No
Spare parts available	Yes
Number of products on MCB of 16 A type B	1
Lifecycle services	Maintenance services
Photobiological risk	Risk group 0
Product recyclability	95%
RoHS mark	RoHS mark
WEEE mark	-
Light source engine type	LED
Serviceability class	Class B, luminaire is equipped with some serviceable parts (when applicable): driver, control units, surge protection device, front cover and mechanical parts
Product family code	BCP608 [ PROFLOOD LED]

### Light Technical

Upward light output ratio	0.67
Initial luminous flux at 15 °C	3680 lm
Initial luminous flux at 25 °C	3680 lm
Standard tilt angle posttop	0°
Standard tilt angle side entry	0°

### Operating and Electrical

Input Voltage	220/240 V
Input Frequency	50 or 60 Hz
Inrush current	20 A
Inrush time	0.275 ms
Power Factor (Min)	0.9
Power Factor (Nom)	0.98

### Controls and Dimming

Dimmable	No
----------	----

### Mechanical and Housing

Housing Material	Aluminum
Reflector material	Glass
Optic material	Glass
Optical cover/lens material	Glass
Fixation material	Steel
Mounting device	Mounting bracket adjustable
Optical cover/lens shape	Curved
Optical cover/lens finish	Clear
Torque	34
Overall length	674 mm

Overall width	294 mm
Overall height	400 mm
Effective projected area	0.12 m <sup>2</sup>
Color	Gray

### Approval and Application

Ingress protection code	IP66 [ Dust penetration-protected, jet-proof]
Mech. impact protection code	IK06 [ 1 J]
Surge Protection (Common/Differential)	Luminaire surge protection level until 4 kV differential mode and 4 kV common mode

### Initial Performance (IEC Compliant)

Initial luminous flux (system flux)	3750 lm
Luminous flux tolerance	+/-5%
Initial LED luminaire efficacy	75 lm/W
Init. Corr. Color Temperature	4000 K
Init. Color Rendering Index	>70
Initial chromaticity	(0.3862,0.3758) 4-step
Initial input power	50 W
Power consumption tolerance	+/-5%

### Over Time Performance (IEC Compliant)

Control gear failure rate at median useful life 50000 h	5 %
Lumen maintenance at median useful life* 50000 h	L80

### Application Conditions

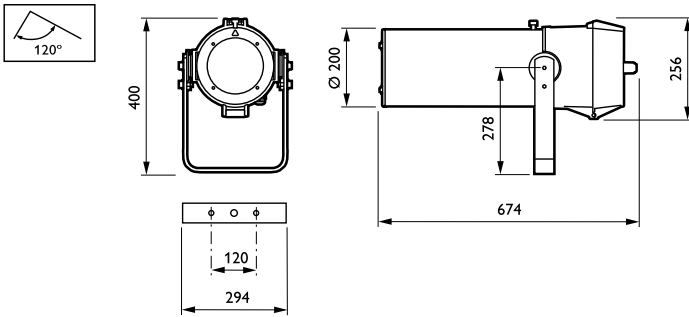
Ambient temperature range	-40 to +50 °C
Performance ambient temperature Tq	25 °C
Maximum dim level	Not applicable

### Product Data

Full product code	871869692980300
Order product name	BCP608 LED55/740 II EB SHUT GR10714 MSP
EAN/UPC - Product	8718696929803
Order code	910505017285
Numerator - Quantity Per Pack	1
Numerator - Packs per outer box	1
Material Nr. (12NC)	910505017285
Net Weight (Piece)	16.600 kg

# ProFlood LED

## Dimensional drawing



ProFlood LED BCP608/BCP609

