



CityCharm Cone

BDS491 CG25-/730 II S GR 60

CityCharm Cone - 15 pcs - ClearGuide 2500 lm - LED - 730 warm white - Power supply unit regulating - 220 to 240 V - 50 to 60 Hz - Safety class II - Symmetrical - Polycarbonate bowl/cover - Grey - Cable 0.2 m without plug - Spigot for diameter 60 mm

CityCharm Cone is designed for use in urban areas where comfortable lighting, ambiance and design play an important role. Its unobtrusive appearance makes it a timeless, future-proof luminaire that is ideal for residential areas, parks, footpaths and cycle lanes, where visual comfort and maximum efficiency are key. CityCharm offers a choice of two iconic designs (Cone and Cordoba) and various accessories, enabling you to create a lighting solution that carries your signature, both by day and by night. CityCharm luminaires are also available as a complete set, with a choice of dedicated poles and brackets.

Product data

General Information			
Number of light sources	15 [15 pcs]	Control interface	-
Lamp family code	CG25 [ClearGuide 2500 lm]	Connection	Flying leads/cables
Light source colour	730 warm white	Cable	Cable 0.2 m without plug
Light source replaceable	Yes	Protection class IEC	Safety class II
Number of gear units	1 unit	Glow-wire test	Temperature 650 °C, duration 5 s
Gear	EB [Electronic]	Flammability mark	NO [-]
Driver/power unit/transformer	PSR [Power supply unit regulating]	CE mark	CE mark
Driver included	Yes	ENEC mark	ENEC mark
Optical cover/lens type	PC [Polycarbonate bowl/cover]	UL mark	No
Luminaire light beam spread	360°	Warranty period	5 years
		Outdoor optic type	Symmetrical

CityCharm Cone

Remarks	* At extreme ambient temperatures the luminaire might automatically dim down to protect components
Constant light output	No
Spare parts available	Yes
Number of products on MCB	32
Lifecycle services	Maintenance services
Photobiological risk	Risk group 1
Product recyclability	95%
RoHS mark	RoHS mark
WEEE mark	-
LED engine type	LED
Accessory PFC	-
Product Family Code	BDS491 [CityCharm Cone]

Light Technical

Upward light output ratio	0.03
Scotopic/photopic lumen ratio	1.24
Initial luminous flux at 15°C	2501 lm
Initial luminous flux at 25°C	2501 lm
Initial luminous flux at 35°C	2501 lm
Standard tilt angle post-top	0°
Standard tilt angle side entry	0°

Operating and Electrical

Input voltage	220 to 240 V
Input frequency	50 to 60 Hz
Control signal voltage	-
Inrush current	27 A
Inrush time	15 ms
Driver current	447 mA
Power factor (max.)	0.9
Power factor (min.)	0.8
Power factor (nom.)	0.848

Controls and Dimming

Dimmable	No
----------	----

Mechanical and Housing

Housing material	Aluminium
Reflector material	-
Optic material	Polycarbonate
Optical cover/lens material	Polycarbonate

Fixation material	Aluminum
Mounting device	60 [Spigot for diameter 60 mm]
Optical cover/lens shape	Flat
Optical cover/lens finish	Clear
Torque	25
Overall height	529 mm
Overall diameter	556 mm
Effective projected area	0.1155 m ²
Colour	Grey

Approval and Application

Ingress protection code	IP66 [Dust penetration-protected, jet-proof]
Mech. impact protection code	IK10 [20 J vandal-resistant]
Surge protection (common/differential)	Luminaire surge protection level up to 6 kV differential mode and 8 kV common mode

Initial Performance (IEC Compliant)

Initial luminous flux	2117 lm
Luminous flux tolerance	+/-10%
Initial LED luminaire efficacy	96 lm/W
Init. Corr. colour temperature	3000 K
Init. colour rendering index	≥70
Initial chromaticity	(0.430, 0.400) SDCM <3
Initial input power	22 W
Power consumption tolerance	+/-10%

Application Conditions

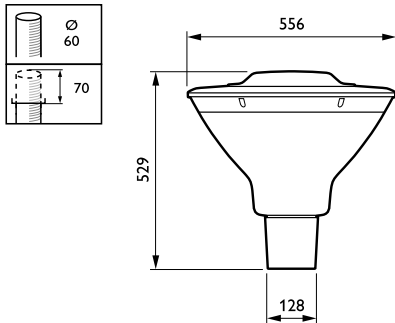
Ambient temperature range	-40 to +50 °C
Maximum dimming level	Not applicable

Product Data

Full product code	871869693927700
Order product name	BDS491 CG25-/730 II S GR 60
EAN/UPC – product	8718696939277
Order code	93927700
Numerator – quantity per pack	1
Numerator – packs per outer box	1
Material no. (I2NC)	910505017432
Net weight (piece)	12.000 kg

CityCharm Cone

Dimensional drawing



CityCharm BDS490/491

