



ArenaVision MVF403

MVF403 MHN-SA2000W A7 SI

ARENAVISION, MASTER MHN-SA, 2000 W

ArenaVision MVF403 takes sports floodlighting to the highest level, offering very high light output, optical efficiency, ease of installation, reliability and flexibility. It is ideal for indoor sports halls (1000 W version) as well as many outdoor sports and other lighting applications. The integrated system of oval optics and compact double-ended MHN-LA 1000W or MHN-SA HO 2000W lamps ensures outstanding system efficiency and low glare. A built-in reflector skirt reduces spill light and glare even further. The MHN-SA HO 2000W/956 and MHN-LA 1000W/956 lamps meet the highest international CTV requirements. With the MHN-LA 1000W/842 lamp, the natural colour rendering and comfortable atmosphere are well suited to TV and filming as well as other floodlighting applications. Hot re-strike versions are available for all lamp types, enabling immediate restoration of lighting after power supply failure. The (optional) flicker-free version of ArenaVision MVF403 MHN-LA 1000W is designed to ensure that the flicker effect is fully eliminated in order to guarantee perfect images filmed with super-slow-motion cameras at sports events. The flicker-free version of ArenaVision MVF403 comes equipped with a special electronic igniter, which works in combination with Philips' electronic ballast GearUnits (ECM330), to be ordered separately.

Product data

General Information	
Lamp family code	MHN-SA [MASTER MHN-SA]
Number of gear units	-
Gear	-
Product family code	MVF403 [ARENAVISION]
Value ladder	Specification
CE mark	Yes
Warranty period	1 years

Flammability mark	-
ENEC mark	ENEC mark
EU RoHS compliant	Yes
Light Technical	
Standard tilt angle posttop	-
Standard tilt angle side entry	-
Correlated Color Temperature (Nom)	-

ArenaVision MVF403

Color rendering index (CRI)	-
Number of light sources	1
Light source color	-
Optical cover type	Front-glass downlighting version
Luminaire light beam spread	-
Optic type outdoor	Beam category A7

Operating and Electrical

Input Voltage	380 to 415 V
Line Frequency	50 to 60 Hz
Power Consumption	2,000 W
Connection	Screw connector
Cable	-

Temperature

Ambient temperature range	-30 to +35 °C
---------------------------	---------------

Controls and Dimming

Dimmable	No
Constant light output	No

Mechanical and Housing

Housing Material	Aluminum
Reflector material	Aluminum
Optic material	Aluminum
Optical cover material	-
Fixation material	Steel
Housing Color	Aluminum

Mounting device	Mounting bracket adjustable
Optical cover shape	-
Optical cover finish	-
Overall height	535 mm
Effective projected area	0.19 m²

Approval and Application

Ingress protection code	IP65 [Dust penetration-protected, jet-proof]
Mech. impact protection code	IK08 [5 J vandal-protected]
Surge Protection (Common/Differential)	-
Sustainability rating	-
Protection class IEC	Safety class I

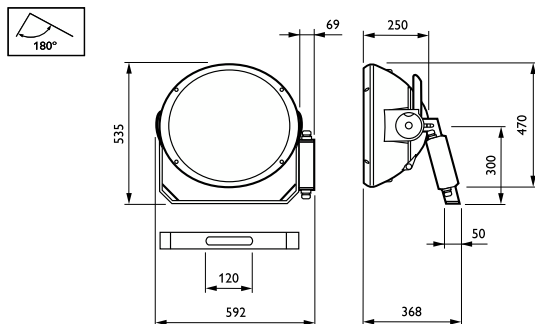
Application Conditions

Maximum dim level	Not applicable
-------------------	----------------

Product Data

Order product name	MVF403 MHN-SA2000W A7 SI
Full product name	MVF403 MHN-SA2000W A7 SI
Full product code	871829106951500
Order code	910925432212
Material Nr. (12NC)	910925432212
Numerator - Quantity Per Pack	1
EAN/UPC - Product/Case	8718291069515
Numerator - Packs per outer box	1
EAN/UPC - Case	8718291069515

Dimensional drawing



ArenaVision MVF403

