



# Iridium gen3 LED Mini

## BGP381 GRN20/830 II MSO CO GR SP

Iridium gen3 Mini - LED GreenLine 2000 lm - 830 warm white - Safety class II (II) - Medium wide street optic - Cover painted - Gray - Spigot

Iridium gen3 is the first truly intelligent luminaire designed for seamless connectivity. No hassle in commissioning – just install the luminaire and control it from a distance through CityTouch management software. Remote light management made easy! The new ‘plug & play’ concept has been designed to ensure safe and easy installation in just three steps: 1. Install the spigot, 2. Plug in the mains, 3. Tilt and close the luminaire. The luminaire’s high efficiency at system level ensures significant energy savings compared to existing conventional installations, offering a fast payback. Thanks to its wide choice of lumen packages, optics and color temperatures, Iridium gen3 fits most applications in residential areas. The luminaire’s neo-classical design guarantees a consistent look and feel for your surroundings.

### Product data

| General Information           |                                     | Control interface             |   |
|-------------------------------|-------------------------------------|-------------------------------|---|
| Number of light sources       | 1 [ 1 pc]                           | Control interface             | -   |
| Lamp family code              | GRN20 [ LED GreenLine 2000 lm]      | Light regulation              | -   |
| Light source colour           | 830 warm white                      | Electrical circuit protection | -   |
| Light source replaceable      | Yes                                 | Connection                    | SI [ Screw connection block]              |
| Number of gear units          | 1 unit                              | Cable                         | -   |
| Gear                          | EB [ Electronic]                    | Protection class IEC          | Safety class II (II)                      |
| Driver/power unit/transformer | PSR [ Power supply unit regulating] | Parts colour                  | Cover painted                             |
| Driver included               | Yes                                 | Coating                       | -   |
| Optical cover/lens type       | PC [ Polycarbonate bowl/cover]      | Glow-wire test                | 650/5 [ Temperature 650 °C, duration 5 s] |
| Luminaire light beam spread   | 152°                                | Flammability mark             | NO [ -]                                   |
| Embedded control              | No [ -]                             | CE mark                       | CE mark                                   |
|                               |                                     | ENEC mark                     | ENEC mark                                 |

## Iridium gen3 LED Mini

|                           |  |
|---------------------------|--|
| UL mark                   | -  |
| Warranty period           | 5 years  |
| Outdoor optic type        | Medium wide street optic   |
| Photocell                 | No [-]   |
| Gland for mains supply    | 1PG10 [ Cable gland 1x PG 10 mm]   |
| Remarks                   | *-Per Lighting Europe guidance paper "Evaluating performance of LED based luminaires - January 2018": statistically there is no relevant difference in lumen maintenance between B50 and for example B10. Therefore the median useful life (B50) value also represents the B10 value. * At extreme ambient temperatures the luminaire might automatically dim down to protect components |
| Constant light output     | No   |
| Number of products on MCB | 23   |
| RoHS mark                 | -  |
| LED engine type           | LED  |
| Product Family Code       | BGP381 [ Iridium gen3 Mini]  |

### Light Technical

|                                |    |
|--------------------------------|----|
| Upward light output ratio      | 0  |
| Standard tilt angle post-top   | 0° |
| Standard tilt angle side entry | 0° |

### Operating and Electrical

|                     |              |
|---------------------|--------------|
| Input voltage       | 220 to 240 V |
| Input frequency     | 50 to 60 Hz  |
| Inrush current      | 15 A         |
| Inrush time         | 0.36 ms      |
| Driver current      | 670 mA       |
| Power factor (min.) | 0.98         |
| Power factor (nom.) | 0.95         |

### Controls and Dimming

|          |    |
|----------|----|
| Dimmable | No |
|----------|----|

### Mechanical and Housing

|                             |               |
|-----------------------------|---------------|
| Housing material            | Aluminum      |
| Reflector material          | -             |
| Optic material              | Polycarbonate |
| Optical cover/lens material | Polycarbonate |
| Fixation material           | Aluminum      |
| Mounting device             | SP [ Spigot]  |
| Optical cover/lens shape    | Flat          |

|                           |                      |
|---------------------------|----------------------|
| Optical cover/lens finish | Textured             |
| Overall length            | 531 mm               |
| Overall width             | 273 mm               |
| Overall height            | 156 mm               |
| Effective projected area  | 0.024 m <sup>2</sup> |
| Colour                    | Gray                 |

### Approval and Application

|  |   |
|--|---|
| Ingress protection code                | IP66 [ Dust penetration-protected, jet-proof] |
| Mech. impact protection code           | IK09 [ 10 J]                                  |
| Surge protection (common/differential) | 4/4 kV  |

### Initial Performance (IEC Compliant)

|                                |                      |
|--------------------------------|----------------------|
| Initial luminous flux          | 1880 lm              |
| Luminous flux tolerance        | +/-7%                |
| Initial LED luminaire efficacy | 106 lm/W             |
| Init. Corr. colour temperature | 3000 K               |
| Init. colour rendering index   | 80                   |
| Initial chromaticity           | (0.43, 0.41) SDCM <5 |
| Initial input power            | 17.8 W               |
| Power consumption tolerance    | +/-11%               |

### Over Time Performance (IEC Compliant)

|  |      |
|--|------|
| Control gear failure rate at median useful life 100000 h | 10 % |
| Lumen maintenance at median useful life* 100000 h        | L80  |

### Application Conditions

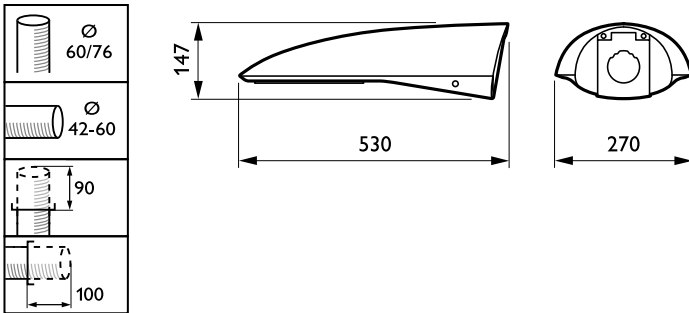
|                                    |                |
|------------------------------------|----------------|
| Ambient temperature range          | -40 to +50 °C  |
| Performance ambient temperature Tq | 25 °C          |
| Maximum dimming level              | Not applicable |

### Product Data

|                                 |                                  |
|---------------------------------|----------------------------------|
| Full product code               | 871829190836400                  |
| Order product name              | BGP381 GRN20/830 II MSO CO GR SP |
| EAN/UPC – product               | 8718291908364                    |
| Order code                      | 90836400                         |
| Numerator – quantity per pack   | 1                                |
| Numerator – packs per outer box | 1                                |
| Material no. (12NC)             | 910925438285                     |
| Net weight (piece)              | 6.850 kg                         |

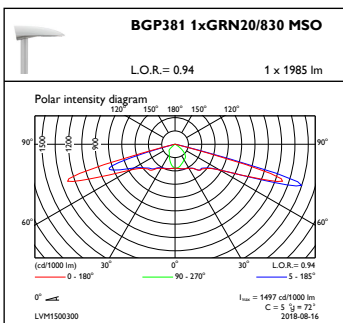
# Iridium gen3 LED Mini

## Dimensional drawing



Iridium3 LED BGP381

## Photometric data



OFPC1\_BGP381xGRN20830MSO

