



Iridium gen3 LED Mini

BGP381 GRN19/830 II WSO CO GR CLO-LS-8 5

Iridium gen3 Mini - LED GreenLine 1900 lm - 830 warm white - Safety class II (II) - Wide street optic - Cover painted - Gray - Constant light output and LumiStep dimming 8 hours - 50%

Iridium gen3 is the first truly intelligent luminaire designed for seamless connectivity. No hassle in commissioning – just install the luminaire and control it from a distance through CityTouch management software. Remote light management made easy! The new ‘plug & play’ concept has been designed to ensure safe and easy installation in just three steps: 1. Install the spigot, 2. Plug in the mains, 3. Tilt and close the luminaire. The luminaire’s high efficiency at system level ensures significant energy savings compared to existing conventional installations, offering a fast payback. Thanks to its wide choice of lumen packages, optics and color temperatures, Iridium gen3 fits most applications in residential areas. The luminaire’s neo-classical design guarantees a consistent look and feel for your surroundings.

Product data

General Information		Luminaire light beam spread	
Number of light sources	1 [1 pc]	Luminaire light beam spread	152°
Lamp family code	GRN19 [LED GreenLine 1900 lm]	Embedded control	CLO-LS-8 [Constant light output and LumiStep dimming 8 hours]
Light source color	830 warm white	Control interface	-
Light source replaceable	Yes	Light regulation	-
Number of gear units	1 unit	Electrical circuit protection	-
Gear	EB [Electronic]	Connection	SI [Screw connection block]
Driver/power unit/transformer	PSDD-CLO [Power supply unit with DynaDimmer and constant light output (integrated)]	Cable	-
Driver included	Yes	Protection class IEC	Safety class II (II)
Optical cover/lens type	PC [Polycarbonate bowl/cover]	Parts color	Cover painted
		Coating	-
		Glow-wire test	650/5 [Temperature 650 °C, duration 5 s]

Iridium gen3 LED Mini

Flammability mark	NO [-]
CE mark	CE mark
ENEC mark	ENEC mark
UL mark	-
Warranty period	5 years
Optic type outdoor	Wide street optic
Light regulation percentage	50%
Photocell	No [-]
Gland for mains supply	1PG10 [Cable gland 1x PG 10 mm]
Remarks	*-Per Lighting Europe guidance paper "Evaluating performance of LED based luminaires - January 2018": statistically there is no relevant difference in lumen maintenance between B50 and for example B10. Therefore the median useful life (B50) value also represents the B10 value. * At extreme ambient temperatures the luminaire might automatically dim down to protect components
Constant light output	Yes
Number of products on MCB of 16 A type B	20
RoHS mark	-
WEEE mark	-
Light source engine type	LED
Serviceability class	Class A, luminaire is equipped with serviceable parts (when applicable): LED board, driver, control units, surge protection device, optics, front cover and mechanical parts
Product family code	BGP381 [Iridium gen3 Mini]

Light Technical

Upward light output ratio	0
Standard tilt angle posttop	0°
Standard tilt angle side entry	0°

Operating and Electrical

Input Voltage	220 to 240 V
Input Frequency	50 to 60 Hz
Initial CLO power consumption	14.6 W
Average CLO power consumption	15 W
End CLO power consumption	15.2 W
Inrush current	22 A
Inrush time	0.29 ms
Power Factor (Min)	0.94

Controls and Dimming

Dimmable	Yes
----------	-----

Mechanical and Housing

Housing Material	Aluminum
Reflector material	-

Optic material	Polycarbonate
Optical cover/lens material	Polycarbonate
Fixation material	Aluminum
Mounting device	SP [Spigot]
Optical cover/lens shape	Flat
Optical cover/lens finish	Textured
Overall length	531 mm
Overall width	273 mm
Overall height	156 mm
Effective projected area	0.024 m ²
Color	Gray

Approval and Application

Ingress protection code	IP66 [Dust penetration-protected, jet-proof]
Mech. impact protection code	IK09 [10 J]
Surge Protection (Common/Differential)	4/4 kV

Initial Performance (IEC Compliant)

Initial luminous flux (system flux)	1692 lm
Luminous flux tolerance	+/-7%
Initial LED luminaire efficacy	116 lm/W
Init. Corr. Color Temperature	3000 K
Init. Color Rendering Index	80
Initial chromaticity	(0.43, 0.41) SDCM <5
Initial input power	15.2 W
Power consumption tolerance	+/-11%

Over Time Performance (IEC Compliant)

Control gear failure rate at median useful life 100000 h	10 %
Lumen maintenance at median useful life* 100000 h	L100

Application Conditions

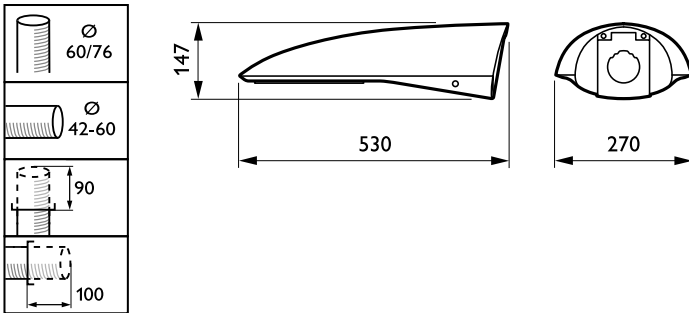
Ambient temperature range	-40 to +50 °C
Performance ambient temperature Tq	25 °C
Maximum dim level	50%

Product Data

Full product code	871869632131700
Order product name	BGP381 GRN19/830 II WSO CO GR CLO-LS-8 5
EAN/UPC - Product	8718696321317
Order code	32131700
Numerator - Quantity Per Pack	1
Numerator - Packs per outer box	1
Material Nr. (12NC)	910925439304
Net Weight (Piece)	6.850 kg

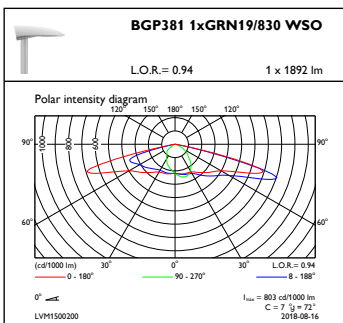
Iridium gen3 LED Mini

Dimensional drawing



Iridium3 LED BGP381

Photometric data



OFPC1_BGP381xGRN19830WSO

