



CoreLine Trunking

LL120X LED90S/840 2x PSU VWB 5 WH

CoreLine Trunking - LED module, system flux 9000 lm - Power supply unit - Very wide beam

Whether for a new facility or renovation of an existing space, customers want lighting solutions that provide quality of light and substantial energy and maintenance savings. The new CoreLine Trunking range of LED products can be used to replace general lighting. The process of selecting, installing and maintaining is so easy – it's a simple switch.

Product data

General Information		Mounting	
Number of light sources	6 [6 pcs]	Ready-to-install	-
Lamp family code	LED90S [LED module, system flux 9000 lm]	Glow-wire test	650/5 [Temperature 650 °C, duration 5 s]
Beam angle of light source	120 °	Flammability mark	F [For mounting on normally flammable surfaces]
Light source colour	840 neutral white	Accessories included	MB-SW [Mounting bracket for suspension wire]
Light source replaceable	No	CE mark	CE mark
Number of gear units	2 units	ENEC mark	ENEC mark
Driver/power unit/transformer	PSU [Power supply unit]	Mechanical accessories	No [-]
Driver included	Yes	Remarks	*- According to the Lighting Europe guidance paper 'Evaluating performance of LED based luminaires – January 2018': statistically there is no relevant difference in lumen maintenance between the B50 and, for example, the B10. Therefore, the median useful life (B50) value also represents the B10 value.
Optic type	VWB [Very wide beam]	Constant light output	No
Optical cover/lens type	No [-]		
Luminaire light beam spread	130° x 88°		
Emergency lighting	No [-]		
Internal wiring	Standard		
Feed-through wiring	Feed-through wiring 5-phase		
Connection	CU5 [Connection unit 5-pole]		
Cable	-		
Protection class IEC	Safety class I (I)		

CoreLine Trunking

Number of products on MCB (16 A type B)	12
EU RoHS compliant	Yes
Product family code	LL120X [CoreLine Trunking]
Unified glare rating CEN	Not applicable

Light Technical

Light distribution	DIR [Direct lighting]
--------------------	------------------------

Operating and Electrical

Input Voltage	220 to 240 V
Input frequency	50 to 60 Hz
Control signal voltage	0-16 V DC DALI
Circuit	No [-]
Circuit option	5 [5 conductors]
Inrush current	38 A
Inrush time	0.28 ms
Power factor (min.)	0.95

Controls and Dimming

Dimmable	No
----------	----

Mechanical and Housing

Housing material	Steel
Reflector material	-
Optic material	Acrylate
Optical cover/lens material	Acrylate
Fixation material	Steel
Optical cover/lens finish	Clear
Overall length	3450 mm
Overall width	95 mm
Overall height	52 mm
Height	52 mm
Diameter	-
Colour	White
Dimensions (height x width x depth)	52 x 95 x 3450 mm (2 x 3.7 x 135.8 in)

Approval and Application

Ingress protection code	IP20 [Finger-protected]
Mech. impact protection code	IK02 [0.2 J standard]

Initial Performance (IEC Compliant)

Initial luminous flux (system flux)	9000 lm
Luminous flux tolerance	+/-7%
Initial LED luminaire efficacy	141 lm/W
Init. Corr. Colour Temperature	4000 K
Init. Colour rendering index	≥80
Initial chromaticity	(0.38, 0.38) SDCM <3
Initial input power	64 W
Power consumption tolerance	+/-11%

Over Time Performance (IEC Compliant)

Control gear failure rate at median useful life 50,000 h	5 %
Lumen maintenance at median useful life* 50,000 h	L80

Application Conditions

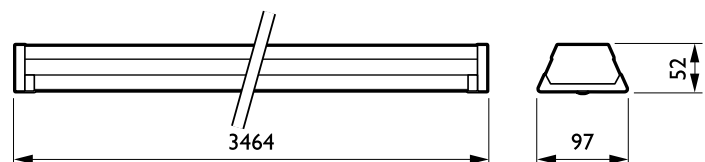
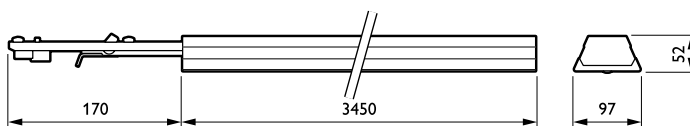
Ambient temperature range	-20 to +35 °C
Performance ambient temperature Tq	25 °C
Suitable for random switching	No

Product Data

Full product code	871829190694000
Order product name	LL120X LED90S/840 2x PSU VWB 5 WH
EAN/UPC – product	8718291906940
Order code	90694000
SAP numerator – quantity per pack	1
Numerator – packs per outer box	1
Material no. (12 NC)	910925682968
SAP net weight (piece)	6.910 kg



Dimensional drawing



CoreLine electr. units LL120X-LL122X

CoreLine electr. units LL120X-LL122X

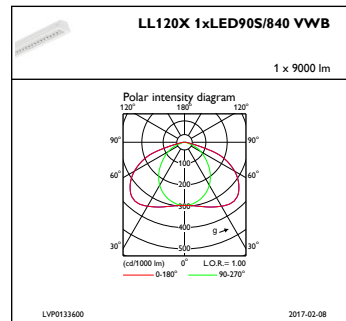
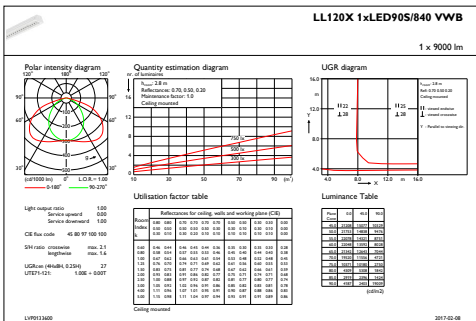
CoreLine Trunking

Dimensional drawing

// //

CoreLine electr. units LL120X-LL122X

Photometric data



IFGU1_LL120X1xLED90S840VWB

IFPC1_LL120X1xLED90S840VWB

