



Malaga SGS101

SGS101 SON-I-70W II MR-AS 42/60

MALAGA - SON-I - 70 W - Safety class II (II) - Moveable reflector with Allen screw - Universal for diameter 42-60 mm

Malaga is a versatile road-lighting luminaire. It offers modern styling and quality lighting for safe and comfortable driving, and for area illumination, with low investment and maintenance costs. The optical system has been designed to deliver good beam control and light output. Malaga provides optimal illuminance and good uniformity when the mounting height approximately equals the road width and the mast spacing is approximately 3.5 times the road width. It is suitable for post-top and side-entry mounting; a wall-mounting bracket is also available.

Product data

General Information	
Number of light sources	1 [1 pc]
Lamp family code	SON-I
Lamp power	70 W
Cap base	E27 [E27]
Kombipack	-
Gear	CONV [Conventional]
Optical cover/lens type	PC [Polycarbonate bowl/cover]
Light regulation	-
Protection class IEC	Safety class II (II)
CE mark	CE mark
ENEC mark	ENEC mark
Optic type outdoor	Moveable reflector with Allen screw
Photocell	No [-]
Product family code	SGS101 [MALAGA]

Light Technical	
Standard tilt angle post-top	15°
Standard tilt angle side entry	15°
Operating and Electrical	
Input Voltage	230 V (default) or 240 V
Ignitor	No [-]
Mechanical and Housing	
Mounting device	42/60 [Universal for diameter 42-60 mm]
Colour	Gray
Dimensions (height x width x depth)	NaN x NaN x NaN mm (NaN x NaN x NaN in)
Approval and Application	
Ingress protection code	IP43/65 [Wire-protected, rain/spray-proof; dust penetration-protected, jet-proof]

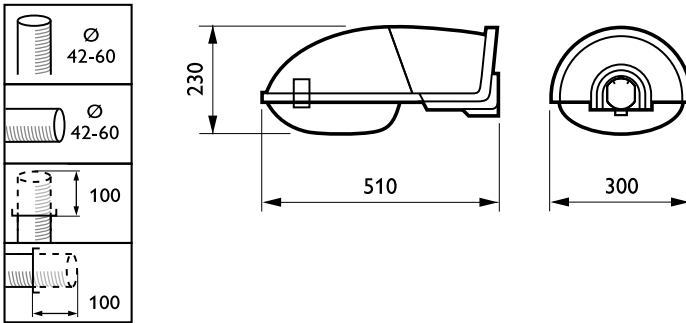
Malaga SGS101

Mech. impact protection code	IK08 [5 J vandal-protected]
Product Data	
Full product code	871155926917700
Order product name	SGS101 SON-I-70W II MR-AS 42/60
EAN/UPC – product	8711559269177
Order code	26917700

SAP numerator – quantity per pack	1
Numerator – packs per outer box	1
SAP material	910925816712
SAP net weight (piece)	3.800 kg



Dimensional drawing



SGS101

