



# UniStreet

## BGP203 LED30-4S/740 I DM50 D9 48/60A

UniStreet Small - LED module 3000 lm - 740 neutral white - Safety class I - Distribution medium - - - Dimming via external communication DALI - Universal for diameter 48 to 60 mm adjustable - 25 °C

At relatively low initial cost, the highly efficient LED-based UniStreet luminaire offers significant cost savings compared with conventional street lighting, ensuring full payback within a short period of time. Available in a choice of lumen packages, UniStreet allows point-to-point replacement of outdated conventional light sources and luminaires. The compact, slim luminaire is made of quality recyclable materials. And being a LED solution, it requires little maintenance.;Core version design for high-volume projects at relatively low initial budget. Offer limited range of optics.Performer version design for customers who are preparing big renovation projects, TCO oriented

### Product data

General Information		Light regulation	
Number of light sources	2 pcs	Connection	Dimming via external communication DALI
Lamp family code	LED30 [ LED module 3000 lm]	Cable	Screw connection block 3-pole
Light source color	740 neutral white	Protection class IEC	-
Light source replaceable	Yes	Coating	Safety class I
Number of gear units	1 unit	Glow-wire test	-
Driver/power unit/transformer	Power supply unit with DALI interface	Flammability mark	Temperature 650 °C, duration 5 s
Driver included	Yes	CE mark	-
Optical cover/lens type	Flat glass	ENEC mark	CE mark
Luminaire light beam spread	154° - 31° x 54°	Warranty period	ENEC mark
Embedded control	-	Optic type outdoor	5 years
Control interface	DALI	Photocell	Distribution medium
			-

Remarks	* -Per Lighting Europe guidance paper "Evaluating performance of LED based luminaires - January 2018": statistically there is no relevant difference in lumen maintenance between B50 and for example B10. Therefore the median useful life (B50) value also represents the B10 value. * At extreme ambient temperatures the luminaire might automatically dim down to protect components
Supply cable type	-
Constant light output	No
Spare parts available	Yes
Number of products on MCB of 16 A type B	20
RoHS mark	-
WEEE mark	-
Light source engine type	LED
Serviceability class	Class A, luminaire is equipped with serviceable parts (when applicable): LED board, driver, control units, surge protection device, optics, front cover and mechanical parts
Product family code	BGP203 [ UniStreet Small]

#### Light Technical

Upward light output ratio	0
Scotopic/photopic lumen ratio	1.6
Standard tilt angle posttop	0°
Standard tilt angle side entry	0°

#### Operating and Electrical

Input Voltage	220-240 V
Input Frequency	50 to 60 Hz
Initial CLO power consumption	[DELETE] W
Average CLO power consumption	[DELETE] W
End CLO power consumption	[DELETE] W
Inrush current	22 A
Inrush time	0.29 ms
Driver current	440 mA
Power Factor (Min)	.95

#### Controls and Dimming

Dimmable	Yes
----------	-----

#### Mechanical and Housing

Housing Material	Aluminum die cast
Reflector material	Polycarbonate
Optic material	Polycarbonate
Optical cover/lens material	Tempered glass
Fixation material	Aluminum

Mounting device	Universal for diameter 48 to 60 mm adjustable
Optical cover/lens shape	Flat
Optical cover/lens finish	Clear
Torque	15
Overall length	630 mm
Overall width	270 mm
Overall height	98 mm
Effective projected area	0.038 m²
Color	Gray

#### Approval and Application

Ingress protection code	IP66 [ Dust penetration-protected, jet-proof]
Mech. impact protection code	IK08 [ 5 J vandal-protected]
Surge Protection (Common/Differential)	Philips standard surge protection level

#### Initial Performance (IEC Compliant)

Initial luminous flux (system flux)	2580 lm
Luminous flux tolerance	+/-7%
Initial LED luminaire efficacy	130 lm/W
Init. Corr. Color Temperature	4000 K
Init. Color Rendering Index	70
Initial chromaticity	(0.381, 0.379) SDCM <5
Initial input power	19.8 W
Power consumption tolerance	+/-11%

#### Over Time Performance (IEC Compliant)

Control gear failure rate at median useful life 100000 h	10 %
Lumen maintenance at median useful life* 100000 h	L91

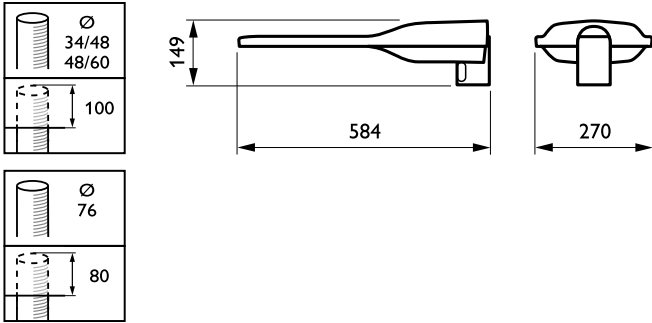
#### Application Conditions

Ambient temperature range	-40 to +50 °C
Performance ambient temperature Tq	25 °C
Maximum dim level	0% (digital)

#### Product Data

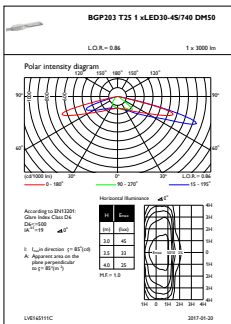
Full product code	871869634902100
Order product name	BGP203 LED30-45/740 I DM50 D9 48/60A
EAN/UPC - Product	8718696349021
Order code	910925863492
Numerator - Quantity Per Pack	1
Numerator - Packs per outer box	1
Material Nr. (12NC)	910925863492
Net Weight (Piece)	6.110 kg

Dimensional drawing

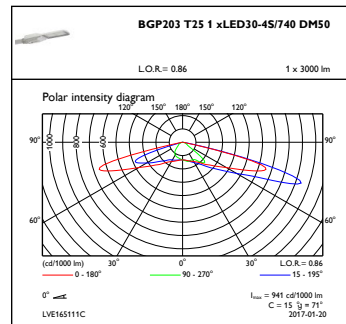


UniStreet BGP/BGS202/203/204

Photometric data



OFPL1\_BGP203T251xLED30-4S740DM50



OFPC1\_BGP203T251xLED30-4S740DM50

