



ClearWay gen2

BGP307 LED54-4S/740 II DM50 48/60S

ClearWay gen2 - LED module 5400 lm - 740 neutral white - Safety class II - Distribution medium 50 - Universal for diameter 48-60 mm adjustable

ClearWay gen2 enables you to enjoy the benefits of LED technology right from the start. This new second generation of the luminaire builds on the strengths of its predecessor and is designed to further minimise your Total Cost of Ownership. ClearWay gen2 significantly improves the most important aspects of the street lighting experience compared to conventional lighting. Ideal for new streets and for renovating existing installations, this affordable range of lighting solutions combines clean, high-quality light with significant energy and maintenance savings. In short, ClearWay gen2 means good-quality light with all the added benefits of LED – energy savings and long lifetime. Offering more benefits, yet packaged in a thinner and lighter design, which makes it easier to install.

Product data

| General Information | | Protection class IEC | Safety class II |
|-------------------------------|-----------------------------|----------------------|---|
| Lamp family code | LED54 [LED module 5400 lm] | Flammability mark | NO [-] |
| Light source colour | 740 neutral white | CE mark | CE mark |
| Light source replaceable | Yes | ENEC mark | ENEC mark |
| Number of gear units | 1 unit | Warranty period | 5 years |
| Driver/power unit/transformer | PSU [Power supply unit] | Outdoor optic type | Distribution medium 50 |
| Driver included | Yes | Remarks | *-Per Lighting Europe guidance paper "Evaluating performance of LED based luminaires - January 2018": statistically there is no relevant difference in lumen maintenance between B50 and for example B10. Therefore the median useful life (B50) value also |
| Optical cover/lens type | FG [Flat glass] | | |
| Luminaire light beam spread | 154° - 31° x 54° | | |
| Control interface | - | | |
| Connection | Push-in connector 5-pole | | |
| Cable | - | | |

ClearWay gen2

| | |
|---------------------------|--|
| | represents the B10 value. * At extreme ambient temperatures the luminaire might automatically dim down to protect components |
| Constant light output | No |
| Number of products on MCB | 18 |
| RoHS mark | RoHS mark |
| LED engine type | LED |
| Product Family Code | BGP307 [ClearWay gen2] |

Light Technical

| | |
|--------------------------------|----|
| Upward light output ratio | 0 |
| Standard tilt angle post-top | 0° |
| Standard tilt angle side entry | 0° |

Operating and Electrical

| | |
|---------------------|--------------|
| Input voltage | 220 to 240 V |
| Input frequency | 50 to 60 Hz |
| Inrush current | 27 A |
| Inrush time | 0.265 ms |
| Power factor (min.) | 0.98 |

Controls and Dimming

| | |
|----------|----|
| Dimmable | No |
|----------|----|

Mechanical and Housing

| | |
|-----------------------------|--|
| Housing material | Aluminium die-cast |
| Reflector material | - |
| Optic material | Polycarbonate |
| Optical cover/lens material | Tempered glass |
| Fixation material | Aluminum |
| Mounting device | 48/60A [Universal for diameter 48-60 mm adjustable] |
| Optical cover/lens shape | Flat |
| Optical cover/lens finish | Clear |
| Overall length | 480 mm |
| Overall width | 325 mm |
| Overall height | 150 mm |
| Effective projected area | 0.1151 m ² |
| Colour | Grey |

Approval and Application

| | |
|--|---|
| Ingress protection code | IP66 [Dust penetration-protected, jet-proof] |
| Mech. impact protection code | IK08 [5 J vandal-protected] |
| Surge protection (common/differential) | Philips standard surge protection level kV |

Initial Performance (IEC Compliant)

| | |
|--------------------------------|----------------------|
| Initial luminous flux | 4698 lm |
| Luminous flux tolerance | +/-7% |
| Initial LED luminaire efficacy | 136 lm/W |
| Init. Corr. colour temperature | 4000 K |
| Init. colour rendering index | 70 |
| Initial chromaticity | (0.38, 0.38) SDCM <5 |
| Initial input power | 34.5 W |
| Power consumption tolerance | +/-11% |

Over Time Performance (IEC Compliant)

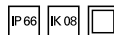
| | |
|--|------|
| Control gear failure rate at median useful life 100000 h | 10 % |
| Lumen maintenance at median useful life* 100000 h | L93 |

Application Conditions

| | |
|------------------------------------|----------------|
| Ambient temperature range | -40 to +50 °C |
| Performance ambient temperature Tq | 25 °C |
| Maximum dimming level | Not applicable |

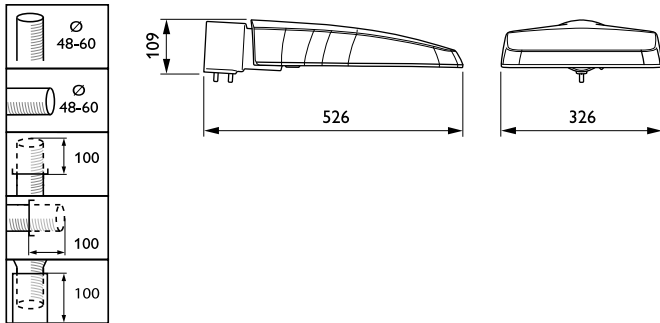
Product Data

| | |
|---------------------------------|------------------------------------|
| Full product code | 871869698703200 |
| Order product name | BGP307 LED54-4S/740 II DM50 48/60S |
| EAN/UPC – product | 8718696987032 |
| Order code | 98703200 |
| Numerator – quantity per pack | 1 |
| Numerator – packs per outer box | 1 |
| Material no. (12NC) | 910925864602 |
| Net weight (piece) | 4.750 kg |



ClearWay gen2

Dimensional drawing



ClearWay gen2 BGP307

