



CoreLine Surface-mounted

SM134V LED27S/840 PSU W60L60 NOC

Coreline Surface - 840 neutral white - Power supply unit

Whether for a new building or renovation of an existing space, customers want lighting solutions that provide quality of light and substantial energy and maintenance savings. The new CoreLine Surface-mounted range of LED products can be used to replace functional luminaires in general lighting applications. The process of selecting, installing and maintaining is so easy – it's a simple switch. Coreline Surface Mounted also provides the option of advanced connectivity and is ready to be connected to IoT based software applications such as Interact Pro.

Product data

General Information			
Light source colour	840 neutral white	Flammability mark	F [For mounting on normally flammable surfaces]
Light source replaceable	No	CE mark	CE mark
Number of gear units	1 unit	ENEC mark	ENEC mark
Driver/power unit/transformer	PSU [Power supply unit]	Warranty period	5 years
Driver included	Yes	Remarks	*-Per Lighting Europe guidance paper "Evaluating performance of LED based luminaires - January 2018": statistically there is no relevant difference in lumen maintenance between B50 and for example B10. Therefore the median useful life (B50) value also represents the B10 value.
Optic type	WB [Wide beam]	Constant light output	No
Luminaire light beam spread	93°	Number of products on MCB	24
Control interface	-		
Connection	Push-in connector and pull relief		
Cable	-		
Protection class IEC	Safety class I		
Glow-wire test	Temperature 850 °C, duration 30 s		

CoreLine Surface-mounted

RoHS mark	RoHS mark
Product Family Code	SM134V [Coreline Surface]
Unified glare rating CEN	22

Operating and Electrical

Input voltage	220 to 240 V
Input frequency	50 to 60 Hz
Inrush current	5.3 A
Inrush time	0.07 ms
Power factor (min.)	0.9

Controls and Dimming

Dimmable	No
----------	----

Mechanical and Housing

Housing material	Steel
Reflector material	Polycarbonate
Optic material	Polycarbonate
Optical cover/lens material	Polycarbonate
Fixation material	Steel
Optical cover/lens finish	Textured
Overall length	600 mm
Overall width	600 mm
Overall height	47 mm
Colour	White

Approval and Application

Ingress protection code	IP20 [Finger-protected]
Mech. impact protection code	IK02 [0.2 J standard]

Initial Performance (IEC Compliant)

Initial luminous flux	2700 lm
-----------------------	---------

Luminous flux tolerance	+/-8%
Initial LED luminaire efficacy	100 lm/W
Init. Corr. colour temperature	4000 K
Init. colour rendering index	≥80
Initial chromaticity	(0.38, 0.38) SDCM <3
Initial input power	27 W
Power consumption tolerance	+/-10%

Over Time Performance (IEC Compliant)

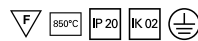
Control gear failure rate at median useful life 50000 h	5 %
Lumen maintenance at median useful life* 50000 h	L75

Application Conditions

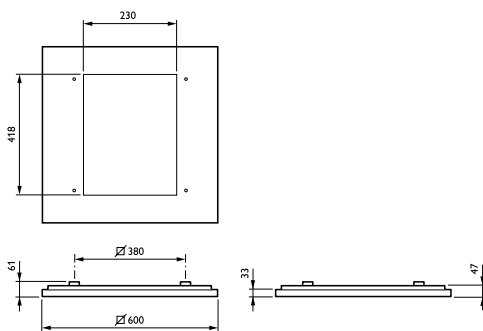
Ambient temperature range	+10 to +40 °C
Performance ambient temperature Tq	25 °C
Maximum dimming level	Not applicable

Product Data

Full product code	871869934875500
Order product name	SM134V LED27S/840 PSU W60L60 NOC
EAN/UPC – product	8718699348755
Order code	34875500
Numerator – quantity per pack	1
Numerator – packs per outer box	1
Material no. (12NC)	910925864834
Net weight (piece)	4.000 kg



Dimensional drawing



CoreLine Surface-mounted SM134V

CoreLine Surface-mounted

