



LumiStreet

BGP253 LED119-4S/740 II DM50 D9 48/60A

LumiStreet Medium - LED module, system flux 12000 lm - 740 neutral white - Safety class II - Distribution medium 50 - Flat glass - Side-entry for diameter 48-60 mm

Many local authorities today have an outdated public lighting installation that urgently needs to be replaced, yet have only a limited budget available. We have the answer to their needs. With its compact design and modern LED architecture, LumiStreet is a versatile, cost-effective luminaire that fulfils basic functional road lighting requirements. It is made of high-quality components that ensure long lifetime and low maintenance cost. The result? A road lighting luminaire that provides effective illumination while at the same time cutting energy and maintenance bills. Core version design for high-volume projects at relatively low initial budget. Offer limited range of optics. Performer version design for customer who are preparing big renovation projects, TCO oriented.

Product data

General Information		Protection class IEC	Safety class II
Lamp family code	LED120S [LED module, system flux 12000 lm]	Flammability mark	F [For mounting on normally flammable surfaces]
Light source colour	740 neutral white	CE mark	CE mark
Light source replaceable	Yes	ENEC mark	ENEC mark
Number of gear units	1 unit	Warranty period	5 years
Driver/power unit/transformer	PSD [Power supply unit with DALI interface]	Outdoor optic type	Distribution medium 50
Driver included	Yes	Remarks	* At extreme ambient temperatures the luminaire might automatically dim down to protect components
Optical cover/lens type	FG [Flat glass]	Constant light output	No
Luminaire light beam spread	154° - 31° x 54°	Number of products on MCB	11
Control interface	DALI		
Connection	Connection unit 5-pole		
Cable	-		

RoHS mark	RoHS mark
LED engine type	LED
Product Family Code	BGP253 [LumiStreet Medium]

Light Technical

Upward light output ratio	0
Standard tilt angle post-top	0°
Standard tilt angle side entry	0°

Operating and Electrical

Input voltage	230 V
Input frequency	50 to 60 Hz
Initial CLO power consumption	[DELETE] W
Average CLO power consumption	[DELETE] W
End CLO power consumption	[DELETE] W
Inrush current	46 A
Inrush time	0.25 ms
Power factor (min.)	0.98

Controls and Dimming

Dimmable	Yes
----------	-----

Mechanical and Housing

Housing material	Aluminium die-cast
Reflector material	Polycarbonate
Optic material	Polycarbonate
Optical cover/lens material	Polycarbonate
Fixation material	Aluminum
Mounting device	48/605 [Side-entry for diameter 48-60 mm]
Optical cover/lens shape	Curved
Optical cover/lens finish	Clear
Overall length	580 mm
Overall width	353 mm
Overall height	98 mm
Overall diameter	0 mm

Effective projected area	0.42 m ²
Colour	Grey

Approval and Application

Ingress protection code	IP66 [Dust penetration-protected, jet-proof]
Mech. impact protection code	IK08 [5 J vandal-protected]
Surge protection (common/differential)	Philips standard surge protection level kV

Initial Performance (IEC Compliant)

Initial luminous flux	10320 lm
Luminous flux tolerance	+/-7%
Initial LED luminaire efficacy	139 lm/W
Init. Corr. colour temperature	4000 K
Init. colour rendering index	70
Initial chromaticity	(0.38, 0.38) SDCM <5
Initial input power	74 W
Power consumption tolerance	+/-11%

Application Conditions

Ambient temperature range	-40 to +50 °C
Maximum dimming level	0% (digital)

Product Data

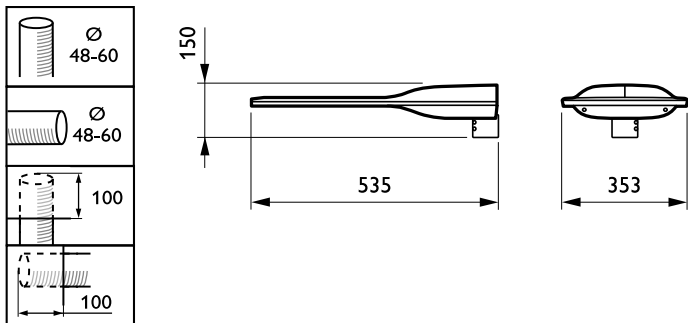
Full product code	871869698858900
Order product name	BGP253 LED119-4S/740 II DM50 D9 48/60A
EAN/UPC – product	8718696988589
Order code	98858900
Numerator – quantity per pack	1
Numerator – packs per outer box	1
Material no. (12NC)	910925866164
Net weight (piece)	6.020 kg



Warnings and Safety

- PLEASE NOTE LUMISTREET SMALL IS NOT AVAILABLE FOR SALE IN UK & IRELAND; SAME HAS BEEN REPLACED BY LUMISTREET MINI

Dimensional drawing



LumiStreet Medium BGP/BGS253

