



GentleSpace gen2

BY470P GRN130S/840 PSD WB GC BR SI

GentleSpace 2 - LED GreenLine system flux 13000 lm - Power supply unit with DALI interface - Wide beam - Clear glass - Bracket - Silver

With the introduction of the GentleSpace LED luminaire in 2011, Philips achieved a breakthrough in high-bay lighting, offering a huge reduction in power consumption, a long service life and an innovative design. Now, with GentleSpace gen2, Philips is setting a new standard in the market, with an improved total cost of ownership, even in extreme conditions. In addition, a high diversity of options are available to ensure an ideal solution for your application like optics, coatings and enabling the use of a central emergency grid (PSED).

Product data

General Information		Embedded control	No [-]
Number of light sources	8 [8 pcs]	Control interface	DALI
Lamp family code	GRN130S [LED GreenLine system flux 13000 lm]	Connection	External connector
Beam angle of light source	114 °	Cable	Cord with plug Wieland/Adels compatible 5-pole
Light source colour	840 neutral white	Protection class IEC	Safety class I
Cap base	- [-]	Mounting	BR [Bracket]
Light source replaceable	Yes	Coating	-
Number of gear units	1 unit	Glow-wire test	Temperature 850 °C, duration 5 s
Gear	EB [Electronic]	Flammability mark	D [For mounting on easily flammable surfaces]
Driver/power unit/transformer	PSD [Power supply unit with DALI interface]	CE mark	CE mark
Driver included	Yes	ENEC mark	ENEC mark
Optic type	WB [Wide beam]	Ball impact resistance mark	Ball Impact Resistance mark
Optical cover/lens type	GC [Clear glass]	Design award-winner marking	Design Award Winner 2014
Luminaire light beam spread	42° x 44°		

GentleSpace gen2

Warranty period	5 years
Suspension accessories	No [-]
Remarks	*-Per Lighting Europe guidance paper "Evaluating performance of LED based luminaires - January 2018": statistically there is no relevant difference in lumen maintenance between B50 and for example B10. Therefore the median useful life (B50) value also represents the B10 value.
Constant light output	No
Number of products on MCB	12
RoHS mark	RoHS mark
Product Family Code	BY470P [GentleSpace 2]
Unified glare rating CEN	25

Operating and Electrical

Input voltage	220-240 V
Input frequency	50 to 60 Hz
Control signal voltage	0-16 V DC DALI
Inrush current	4.8 A
Inrush time	2.3 ms
Power factor (min.)	0.9

Controls and Dimming

Dimmable	Yes
----------	-----

Mechanical and Housing

Housing material	Aluminium
Reflector material	-
Optic material	Acrylate
Optical cover/lens material	Glass
Gear tray material	Steel
Fixation material	Steel
Optical cover/lens finish	Clear
Overall length	450 mm
Overall width	350 mm
Overall height	130 mm
Colour	Silver

Approval and Application

Ingress protection code	IP65 [Dust penetration-protected, jet-proof]
-------------------------	---

Mech. impact protection code	IK07 [2 J reinforced]
------------------------------	------------------------

Initial Performance (IEC Compliant)

Initial luminous flux	13000 lm
Luminous flux tolerance	+/-7%
Initial LED luminaire efficacy	149 lm/W
Init. Corr. colour temperature	4000 K
Init. colour rendering index	≥80
Initial chromaticity	(0.38, 0.38) SDCM <3
Initial input power	87 W
Power consumption tolerance	+/-11%

Over Time Performance (IEC Compliant)

Control gear failure rate at median useful life 50000 h	5 %
Control gear failure rate at median useful life 100000 h	10 %
Lumen maintenance at median useful life* 50000 h	L85
Lumen maintenance at median useful life* 100000 h	L70

Application Conditions

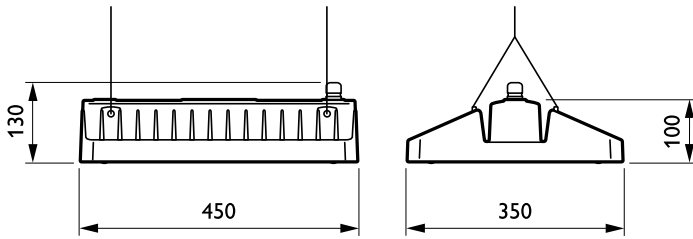
Ambient temperature range	-30 to +45 °C
Performance ambient temperature Tq	25 °C
Maximum dimming level	10%
Suitable for random switching	No

Product Data

Full product code	871869632184300
Order product name	BY470P GRN130S/840 PSD WB GC BR SI
EAN/UPC – product	8718696321843
Order code	32184300
Numerator – quantity per pack	1
Numerator – packs per outer box	1
Material no. (12NC)	910930205943
Net weight (piece)	11.100 kg

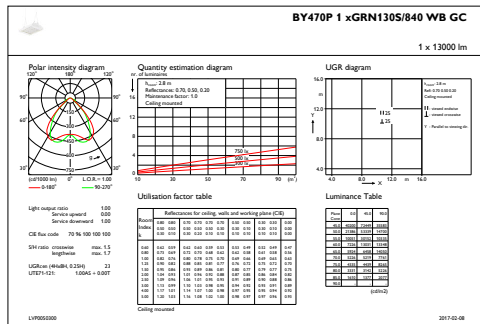
GentleSpace gen2

Dimensional drawing

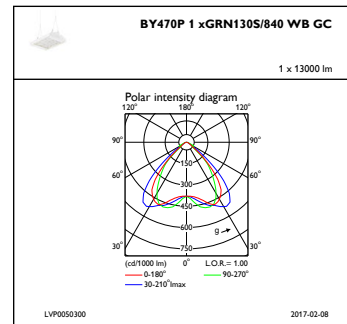


GentleSpace gen2 BY470P-BY473P

Photometric data



IFGU1_BY470P1xGRN130S840WBGC



IFPC1_BY470P1xGRN130S840WBGC

