



ConTempo

RVP250 SON-T150W IC 230V-50Hz S SP

SON-T - 150 W - Symmetrical

The Contempo floodlight has a registered design that blends well with contemporary outdoor environments. It has a rugged pressure die-casted aluminum housing with corrosion resistant powder coating. Contempo also features an integrated energy saving copper ballast, electronic semi-parallel ignitor and capacitor. The unit has passed rigorous tests for dust and water ingress protection.

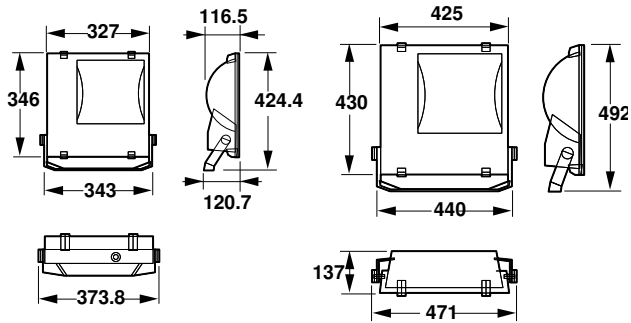
Product data

General Information	
Number of light sources	1 [1 pc]
Lamp family code	SON-T [SON-T]
Lamp power	150 W
Cap base	E40 [E40]
Kombipack	-
Compensation circuit	Inductive parallel compensated
Gear	CONV [Conventional]
Country version	NO [Norway]
Outdoor optic type	Symmetrical
Operating and Electrical	
Maximum lamp power	No [-]
Input voltage	230 V
Input frequency	50 Hz
Ignitor	SP [Semi-parallel]

Approval and Application	
Ingress protection code	IP65 [Dust penetration-protected, jet-proof]
Product Data	
Full product code	911401043780
Order product name	RVP250 SON-T150W IC 230V-50Hz S SP
EAN/UPC – product	6923828620394
Order code	911401043780
Numerator – quantity per pack	1
Numerator – packs per outer box	1
Material no. (12NC)	911401043780
Net weight (piece)	7.049 kg

ConTempo

Dimensional drawing



RVP150/250/350 ConTemp

