



# ArenaVision MVF403 C

## MVF403 C 1xMHN-LA1000W 220-240V A1

1 pc - MASTER MHN-LA - 1000 W

Since it was first introduced in 1988, Philips ArenaVision has proven to be the best floodlighting system ever for sports lighting applications, most of which have to fulfill the highest specifications to enable television coverage of national and international events. ArenaVision is an integrated system that is supplied by one manufacturer as part of a complete system. Philips is the only manufacturer to provide all relevant technologies from lamp to gear to floodlight, so that everything works in synergy. With ArenaVision, the key disciplines of lamp, optic and gear design were brought together with a single mission: to create the best possible floodlight that will operate effectively for many years. ArenaVision MVF403 is ideal for indoor sports halls as well as many outdoor sports and other illumination uses. It comes with a variety of reflectors and lamps and offer a choice of optical systems and three levels of power output for every conceivable application.

### Product data

General Information	
Duplication code	C [ China]
Number of light sources	1 [ 1 pc]
Lamp family code	MHN-LA [ MASTER MHN-LA]
Lamp power	1000 W
Compensation circuit	Inductive parallel compensated
Gear	CONV [ Conventional]
Optical cover/lens type	No [ -]
Outdoor optic type	Beam category A1 (A1)

Operating and Electrical	
Input voltage	220 to 240 V
Input frequency	50 Hz

Approval and Application	
Ingress protection code	IP65 [ Dust penetration-protected, jet-proof]

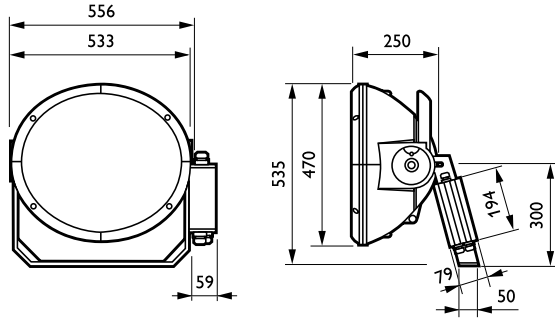
Product Data	
Full product code	911401054680
Order product name	MVF403 C 1xMHN-LA1000W 220-240V A1

# ArenaVision MVF403 C

Order code	911401054680
Numerator – quantity per pack	1
Numerator – packs per outer box	1
Material no. (12NC)	911401054680

Net weight (piece)	13.799 kg
--------------------	-----------

## Dimensional drawing



MVF403 C

