



GreenSpace Surface-mounted

SM291C LED10/865 PSU BK

LED, 10 W, Power supply unit (On/Off), High-gloss mirror, Reflector, 90°

Philips GreenSpace Surface-mounted LED Downlight delivers a superior LED alternative that's up to 66% more energy efficient than the conventional downlight retrofits. Blending seamlessly into its environment, GreenSpace Surface-mounted LED Downlight mimics the form of conventional recessed downlights minus the associated high energy and maintenance costs. Philips GreenSpace Surface-mounted LED Downlight is also ideal for all commercial lighting applications as well as public indoor space where there is limited space in the ceiling.

Product data

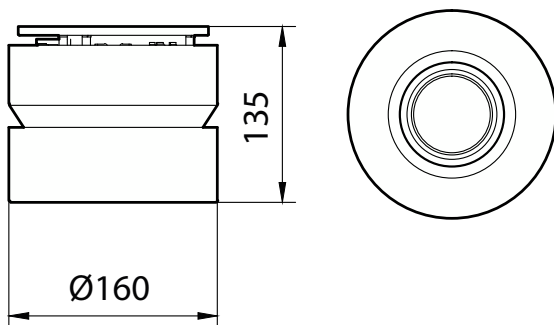
General Information		Color rendering index (CRI)	
Light source replaceable	No		>80
Number of gear units	1 unit	Light source color	865 cool daylight
Driver included	Yes	Optic type	High-gloss mirror
Light source engine type	LED	Optical cover type	Reflector
Service tag	Yes	Luminaire light beam spread	90°
CE mark	CE mark	Operating and Electrical	
Warranty period	3 years	Input Voltage	220 to 240 V
Glow-wire test	Temperature 750 °C, duration 5 s	Line Frequency	50 or 60 Hz
Light Technical		Inrush current	11 A
Luminous Flux	1,000 lm	Inrush time	0.003 ms
Correlated Color Temperature (Nom)	6500 K	Power Consumption	10 W
Luminous Efficacy (rated) (Nom)	100 lm/W	Power Factor (Fraction)	0.9

GreenSpace Surface-mounted

Number of products on MCB of 16 A type B	30
Temperature	
Ambient temperature range	-20 to +40 °C
Controls and Dimming	
Dimmable	No
Driver/power unit/transformer	Power supply unit (On/Off)
Control interface	-
Constant light output	No
Mechanical and Housing	
Housing Material	Aluminum die cast
Reflector material	Aluminum
Optic material	Aluminum
Optical cover material	-
Housing Color	Black
Optical cover finish	-
Overall length	0 mm
Overall width	0 mm
Overall height	135 mm
Overall diameter	160 mm
Dimensions (Height x Width x Depth)	135 x 0 x 0 mm
Approval and Application	
Ingress protection code	IP20 [Finger-protected]
Mech. impact protection code	IK02 [0.2 J standard]

Protection class IEC	Safety class I
Initial Performance (IEC Compliant)	
Luminous flux tolerance	+/-10%
Initial chromaticity	(0.31, 0.32) SDCM <5
Power consumption tolerance	+/-10%
Over Time Performance (IEC Compliant)	
Driver failure rate at 5000 h	1.00 %
Median useful life L70B50	50,000 hour(s)
Median useful life L80B50	40,000 hour(s)
Median useful life L90B50	20,000 hour(s)
Application Conditions	
Suitable for random switching	No
Product Data	
Order product name	SM291C LED10/865 PSU BK
Full product name	SM291C LED10/865 PSU BK
Full product code	911401509331
Order code	911401509331
Material Nr. (12NC)	911401509331
Numerator - Quantity Per Pack	1
Numerator - Packs per outer box	1

Dimensional drawing



GreenSpace Surface-mounted

