



GreenPerformance Troffer

SM100C LED37S 840 W603L603 PSD G3

GreenPerform troffer improves the compact design of the last generation with performance improvement and more variants for different markets. Integrating with all available system: POE, InterAct office wireless, InterAct Office Pro, ActiLume controller, GreenPerform troffer offers additional energy saving and connected features.

Product data

| General Information | | Power Factor (Min) | 0.9 |
|---|---|---------------------------------|--------------------------|
| Light source replaceable | No | Controls and Dimming | |
| Number of gear units | 1 unit | Dimmable | Yes |
| Driver included | Yes | Mechanical and Housing | |
| Control interface | DALI | Housing Material | Metal |
| Protection class IEC | Safety class I | Optic material | Polycarbonate |
| Glow-wire test | Temperature 600 °C, duration 30 s | Optical cover/lens material | Polycarbonate |
| Flammability mark | For mounting on normally flammable surfaces | Fixation material | Steel |
| CE mark | CE mark | Optical cover/lens finish | Ribbed |
| Warranty period | 3 years | Overall length | 603 mm |
| Constant light output | No | Overall width | 603 mm |
| Number of products on MCB of 16 A type B 24 | | Overall height | 56 mm |
| Operating and Electrical | | Color | White |
| Input Voltage | 220-240 V | Approval and Application | |
| Input Frequency | 50 to 60 Hz | Ingress protection code | IP20 [Finger-protected] |
| Inrush current | 21 A | Mech. impact protection code | IK03 [0.3 J] |
| Inrush time | 280 ms | | |

GreenPerformance Troffer

Initial Performance (IEC Compliant)

| | |
|-------------------------------------|----------|
| Initial luminous flux (system flux) | 3700 lm |
| Luminous flux tolerance | +/-10% |
| Initial LED luminaire efficacy | 116 lm/W |
| Init. Corr. Color Temperature | 4000 K |
| Init. Color Rendering Index | 80 |
| Initial chromaticity | SDCM<4 |
| Initial input power | 32 W |
| Power consumption tolerance | +/-10% |

Over Time Performance (IEC Compliant)

| | |
|---------------------------|---------|
| Median useful life L70B50 | 50000 h |
|---------------------------|---------|

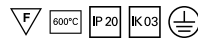
Application Conditions

| | |
|---------------------------|---------------|
| Ambient temperature range | -20 to +40 °C |
|---------------------------|---------------|

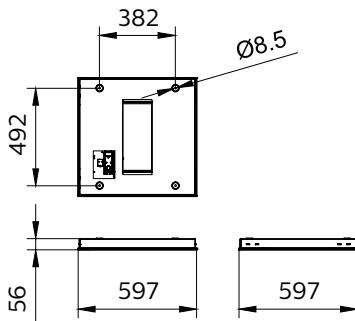
| | |
|-------------------------------|----|
| Suitable for random switching | No |
|-------------------------------|----|

Product Data

| | |
|---------------------------------|-----------------------------------|
| Full product code | 911401510251 |
| Order product name | SM100C LED37S 840 W603L603 PSD G3 |
| Order code | 911401510251 |
| Numerator - Quantity Per Pack | 1 |
| Numerator - Packs per outer box | 2 |
| Material Nr. (12NC) | 911401510251 |
| Net Weight (Piece) | 5.300 kg |



Dimensional drawing



RC100B GreenPerform Troffer

