



GreenSpace Surface-mounted

SM294C LED40/840 PSU WP BK

Power supply unit - High-gloss mirror - 60°

Philips GreenSpace Surface-mounted LED Downlight delivers a superior LED alternative that's up to 66% more energy efficient than the conventional downlight retrofits. Blending seamlessly into its environment, GreenSpace Surface-mounted LED Downlight mimics the form of conventional recessed downlights minus the associated high energy and maintenance costs.; Philips GreenSpace Surface-mounted LED Downlight is also ideal for all commercial lighting applications as well as public indoor space where there is limited space in the ceiling.

Product data

General Information		Operating and Electrical	
Light source color	840 neutral white	Input Voltage	220 to 240 V
Light source replaceable	No	Input Frequency	50 or 60 Hz
Number of gear units	1 unit	Inrush current	25 A
Driver/power unit/transformer	Power supply unit	Inrush time	0.202 ms
Driver included	Yes	Power Factor (Min)	0.9
Optic type	High-gloss mirror	Controls and Dimming	
Luminaire light beam spread	60°	Dimmable	No
Protection class IEC	Safety class I	Mechanical and Housing	
Glow-wire test	Temperature 750 °C, duration 5 s	Housing Material	Aluminum die cast
CE mark	CE mark	Reflector material	Aluminum
Warranty period	3 years	Optic material	Aluminum
Constant light output	No	Overall height	239 mm
Number of products on MCB of 16 A type B 24			

GreenSpace Surface-mounted

Overall diameter	200 mm
Color	White

Approval and Application

Ingress protection code	IP65 [Dust penetration-protected, jet-proof]
Mech. impact protection code	IK02 [0.2 J standard]

Initial Performance (IEC Compliant)

Initial luminous flux (system flux)	3800 lm
Luminous flux tolerance	+/-10%
Initial LED luminaire efficacy	105.000 lm/W
Init. Corr. Color Temperature	4000 K
Init. Color Rendering Index	>80
Initial chromaticity	(0.38, 0.38) SDCM <5
Initial input power	36 W
Power consumption tolerance	+/-10%

Over Time Performance (IEC Compliant)

Median useful life L70B50	50000 h
---------------------------	---------

Median useful life L80B50	40000 h
Median useful life L90B50	20000 h

Application Conditions

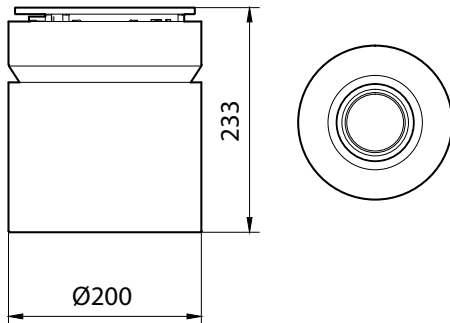
Ambient temperature range	-20 to +40 °C
Suitable for random switching	No

Product Data

Full product code	911401511631
Order product name	SM294C LED40/840 PSU WP BK
Order code	911401511631
Numerator - Quantity Per Pack	1
Numerator - Packs per outer box	1
Material Nr. (12NC)	911401511631
Net Weight (Piece)	2.199 kg



Dimensional drawing



GreenSpace surface-mounted

