



GreenPerformance Troffer

SM100C LED54S 840 W60L120 PSU G3

GreenPerform troffer improves the compact design of the last generation with performance improvement and more variants for different markets. Integrating with all available system: POE, InterAct office wireless, InterAct Office Pro, ActiLume controller, GreenPerform troffer offers additional energy saving and connected features.

Product data

General Information	
Light source replaceable	No
Number of gear units	1 unit
Driver included	Yes
Protection class IEC	Safety class I
Glow-wire test	Temperature 600 °C, duration 30 s
Flammability mark	For mounting on normally flammable surfaces
CE mark	CE mark
Warranty period	3 years
Constant light output	No
Number of products on MCB of 16 A type B	24
Operating and Electrical	
Input Voltage	220-240 V
Input Frequency	50 to 60 Hz
Inrush current	3 A
Inrush time	62 ms
Power Factor (Min)	0.9

Controls and Dimming	
Dimmable	No
Mechanical and Housing	
Housing Material	Metal
Optic material	Polycarbonate
Optical cover/lens material	Polycarbonate
Fixation material	Steel
Optical cover/lens finish	Ribbed
Overall length	1197 mm
Overall width	597 mm
Overall height	56 mm
Color	White
Approval and Application	
Ingress protection code	IP20 [Finger-protected]
Mech. impact protection code	IK03 [0.3 J]
Initial Performance (IEC Compliant)	
Initial luminous flux (system flux)	5400 lm

GreenPerformance Troffer

Luminous flux tolerance	+/-10%
Initial LED luminaire efficacy	123 lm/W
Init. Corr. Color Temperature	4000 K
Init. Color Rendering Index	80
Initial chromaticity	SDCM<4
Initial input power	44 W
Power consumption tolerance	+/-10%

Over Time Performance (IEC Compliant)

Median useful life L70B50	50000 h
---------------------------	---------

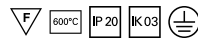
Application Conditions

Ambient temperature range	-20 to +40 °C
---------------------------	---------------

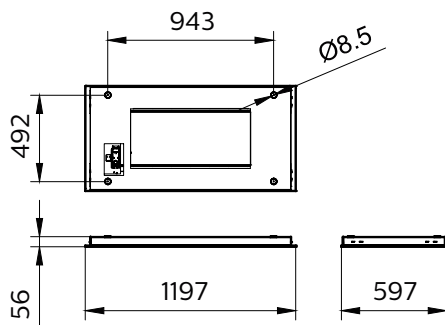
Suitable for random switching	No
-------------------------------	----

Product Data

Full product code	911401519651
Order product name	SM100C LED54S 840 W60L120 PSU G3
Order code	911401519651
Numerator - Quantity Per Pack	1
Numerator - Packs per outer box	2
Material Nr. (12NC)	911401519651
Net Weight (Piece)	8.600 kg



Dimensional drawing



RC100B GreenPerform Troffer

