



# GreenUp Highbay G2

## BY560X LED210/NW ACW2 IS WB CAU

840 neutral white - Power supply unit with DALI interface - Wide beam

Height is not an issue any more, maximum 16 m movement detection together with the wireless ZigBee control, GreenUp HighBay G2, light up your space smartly.

### Product data

General Information	
Beam angle of light source	- °
Lamp colour code	840 neutral white
Light source replaceable	No
Number of gear units	1 unit
Driver/power unit/transformer	PSD [ Power supply unit with DALI interface]
Driver included	Yes
Optic type	WB [ Wide beam]
Optical cover/lens type	LIN-PC [ Linear-lens array in polycarbonate cover]
Luminaire light beam spread	90°
Control interface	DALI
Connection	No [ -]
Cable	Cable 3.0 m with plug
Protection class IEC	Safety class I (I)
Glow-wire test	650/5 [ Temperature 650 °C, duration 5 s]
Flammability mark	F [ For mounting on normally flammable surfaces]
CE mark	CE mark
ENEC mark	-
Warranty period	3 years
Constant light output	No

Number of products on MCB	24
Operating and Electrical	
Input voltage	220 to 240 V
Input frequency	50 to 60 Hz
Inrush current	5.1 A
Inrush time	760 ms
Power factor (min.)	0.95
Mechanical and Housing	
Housing material	Aluminum extruded
Reflector material	-
Optic material	Polycarbonate
Optical cover/lens material	Polycarbonate
Fixation material	-
Optical cover/lens finish	Clear
Overall length	670 mm
Overall width	280 mm
Colour	Aluminium and White

# GreenUp Highbay G2

## Approval and Application

Ingress protection code	IP40 [ Wire-protected]
Mech. impact protection code	IK03 [ 0.3 J]

## Initial Performance (IEC Compliant)

Initial luminous flux	21000 lm
Luminous flux tolerance	+/-10%
Initial LED luminaire efficacy	137 lm/W
Lamp colour temperature	4000 K
Colour Rendering Index	>80
Initial chromaticity	(0.38.0.38)SDCM<5
Initial input power	153 W
Power consumption tolerance	+/-10%

## Over Time Performance (IEC Compliant)

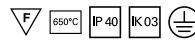
Median useful life L70B50	65000 h
Median useful life L80B50	45000 h
Median useful life L90B50	25000 h

## Application Conditions

Ambient temperature range	-20 to +45 °C
Maximum dimming level	1%
Suitable for random switching	Yes

## Product Data

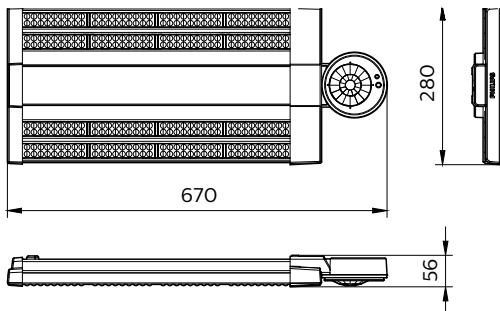
Full product code	911401520151
Order product name	BY560X LED210/NW ACW2 IS WB CAU
Order code	911401520151
Numerator – quantity per pack	1
Numerator – packs per outer box	2
Material no. (12NC)	911401520151
Net weight (piece)	3.499 kg



## Warnings and Safety

- The product is IPX0 & as such is not protected against water ingress and as such we strongly recommend that the environment in which the luminaire is to be installed is suitably checked
- If the above advice is not taken and the luminaires are subject to water ingress, Philips/Signify cannot guarantee safe failure and product warranty will become void

## Dimensional drawing



GreenUp High-bay BY550P/BY550X

## GreenUp Highbay G2

