



# SmartBright Highbay G3

## BY239P LED200/CW PSU CAU

SmartBright Highbay G3, 190 W, 20000 lm, 5000 K, 100°

SmartBright Highbay G3 is a high efficient and reliable LED luminaire. Designed as the point to point replacement for HPI 250W/400W luminaires, it offers customers all the benefits of LED lighting – reduced energy consumption, longer service time and less maintenance. In addition, with using high quality of the optical cover, it provides an excellent quality of light, which effectively improves the comfort of your environment.

### Product data

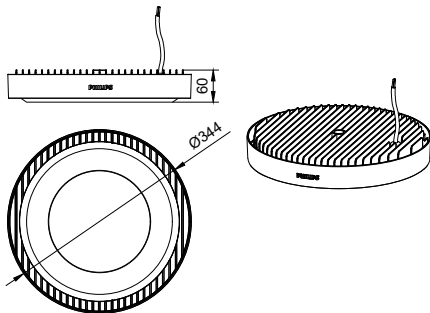
General Information		Operating and Electrical	
Light source replaceable	No	Color rendering index (CRI)	>80
Number of gear units	1 unit	Light source color	850 neutral white
Driver included	Yes	Optic type	Symmetrical
Light source engine type	LED	Optical cover type	Opal
CE mark	CE mark	Luminaire light beam spread	100°
Warranty period	3 years		
Flammability mark	-	Input Voltage	220 to 240 V
ENEC mark	-	Line Frequency	50 or 60 Hz
Glow-wire test	-	Inrush current	10.8 A
EU RoHS compliant	Yes	Inrush time	0.15 ms
		Power Consumption	190 W
		Power Factor (Fraction)	0.9
		Cable	-
		Number of products on MCB of 16 A type B	12
Light Technical			
Luminous Flux	20,000 lm		
Correlated Color Temperature (Nom)	5000 K		
Luminous Efficacy (rated) (Nom)	105 lm/W		

# SmartBright Highbay G3

Temperature	
Ambient temperature range	-20 to +45 °C
Controls and Dimming	
Dimmable	No
Driver/power unit/transformer	Power supply unit (On/Off)
Control interface	-
Constant light output	No
Mechanical and Housing	
Housing Material	Aluminum
Reflector material	-
Optic material	Polycarbonate
Optical cover material	Polycarbonate
Fixation material	-
Housing Color	Dark gray
Optical cover finish	Frosted
Overall height	60 mm
Overall diameter	344 mm
Approval and Application	
Ingress protection code	IP65 [Dust penetration-protected, jet-proof]
Mech. impact protection code	IK06 [1 J]
Protection class IEC	Safety class I
Initial Performance (IEC Compliant)	
Luminous flux tolerance	+/-10%

Power consumption tolerance	+/-10%
Over Time Performance (IEC Compliant)	
Driver failure rate at 5000 h	0.01 %
Median useful life L70B50	30,000 h
Application Conditions	
Maximum dim level	Not applicable
Suitable for random switching	No
Product Data	
Order product name	BY239P LED200/CW PSU CAU
Full product name	BY239P LED200/CW PSU CAU
Full product code	871016334729599
Local code description	BY239PL20CWPSU
Order code	911401538161
Material Nr. (12NC)	911401538161
Local order code	BY239PL20CWPSU
Numerator - Quantity Per Pack	1
EAN/UPC - Product/Case	8710163347295
Numerator - Packs per outer box	4
EAN/UPC - Case	8710163347301

## Dimensional drawing



## SmartBright Highbay G3

