



# LuxSpace G4

## DN594B LED40/930 PSU C D200 WH WB GC

LuxSpace Gen4 is the a new LED downlight range combining light comfort and leading performance with luxury looking

### Product data

General Information	
Light source color	930 warm white
Light source replaceable	No
Number of gear units	1 unit
Driver/power unit/transformer	Power supply unit external
Driver included	Yes
Optic type	Facetted reflector with beam angle 60°
Connection	Push-in connector with 2 poles and pull relief
Protection class IEC	Safety class II
Glow-wire test	Temperature 650 °C, duration 30 s
Flammability mark	For mounting on normally flammable surfaces
CE mark	CE mark
Warranty period	3 years
Constant light output	No
Number of products on MCB of 16 A type B	32
RoHS mark	RoHS mark

Operating and Electrical	
Input Voltage	220 to 240 V
Input Frequency	50 or 60 Hz
Inrush current	14.5 A
Inrush time	0.22 ms

Power Factor (Min)	0.9
--------------------	-----

Controls and Dimming	
Dimmable	No

Mechanical and Housing	
Housing Material	Aluminum die cast
Reflector material	Polycarbonate aluminum coated
Optic material	Polycarbonate
Optical cover/lens material	Polycarbonate
Fixation material	Steel
Optical cover/lens finish	Textured
Overall height	130 mm
Overall diameter	212 mm
Color	White and black

Approval and Application	
Ingress protection code	IP20 [ Finger-protected]
Mech. impact protection code	IK03 [ 0.3 J]

Initial Performance (IEC Compliant)	
Initial luminous flux (system flux)	3440 lm
Luminous flux tolerance	+/-10%
Initial LED luminaire efficacy	87 lm/W
Init. Corr. Color Temperature	3000 K

## LuxSpace G4

Init. Color Rendering Index	>90
Initial input power	39.7 W
Power consumption tolerance	+/-10%

### Over Time Performance (IEC Compliant)

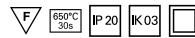
Median useful life L70B50	50000 h
Median useful life L80B50	50000 h
Median useful life L90B50	21000 h

### Application Conditions

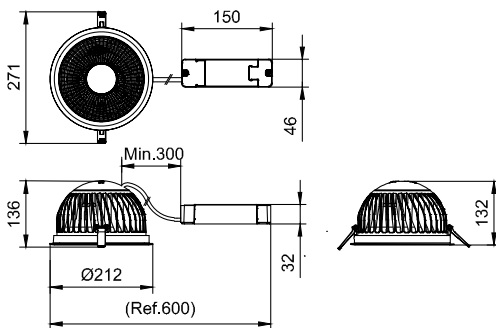
Ambient temperature range	-20 to +40 °C
Maximum dim level	Not applicable
Suitable for random switching	Not applicable

### Product Data

Full product code	911401546941
Order product name	DN594B LED40/930 PSU C D200 WH WB GC
Order code	911401546941
Numerator - Quantity Per Pack	1
Numerator - Packs per outer box	1
Material Nr. (12NC)	911401546941
Net Weight (Piece)	1.399 kg



### Dimensional drawing



DN58XB/DN59XB

