



LuxSpace G4

DN594B LED40/840 PSU C D200 WH WB WP GM

Reflector

LuxSpace Gen4 is the a new LED downlight range combining light comfort and leading performance with luxury looking

Product data

General Information		Controls and Dimming	
Light source color	840 neutral white	Inrush current	14.5 A
Light source replaceable	No	Inrush time	0.22 ms
Number of gear units	1 unit	Power Factor (Min)	0.9
Driver/power unit/transformer	Power supply unit external	Controls and Dimming	
Driver included	Yes	Dimmable	No
Optic type	Facetted reflector with beam angle 60°	Mechanical and Housing	
Optical cover/lens type	Reflector	Housing Material	Aluminum die cast
Connection	Push-in connector and pull relief	Reflector material	Polycarbonate aluminum coated
Protection class IEC	Safety class II	Optic material	Polycarbonate
Glow-wire test	Temperature 650 °C, duration 30 s	Optical cover/lens material	Polycarbonate
Flammability mark	For mounting on normally flammable surfaces	Fixation material	Steel
CE mark	CE mark	Optical cover/lens finish	Textured
Warranty period	3 years	Overall height	130 mm
Constant light output	No	Overall diameter	212 mm
Number of products on MCB of 16 A type B	32	Color	White and black
RoHS mark	RoHS mark	Approval and Application	
Operating and Electrical		Ingress protection code	IP54/20 [Dust accumulation protected, splash-proof/finger protected]
Input Voltage	220 to 240 V		
Input Frequency	50 or 60 Hz		

LuxSpace G4

Mech. impact protection code	IK03 [0.3 J]
Initial Performance (IEC Compliant)	
Initial luminous flux (system flux)	4090 lm
Luminous flux tolerance	+/-10%
Initial LED luminaire efficacy	103 lm/W
Init. Corr. Color Temperature	4000 K
Init. Color Rendering Index	>80
Initial input power	39.7 W
Power consumption tolerance	+/-10%
Over Time Performance (IEC Compliant)	
Median useful life L70B50	50000 h
Median useful life L80B50	50000 h
Median useful life L90B50	21000 h

Application Conditions

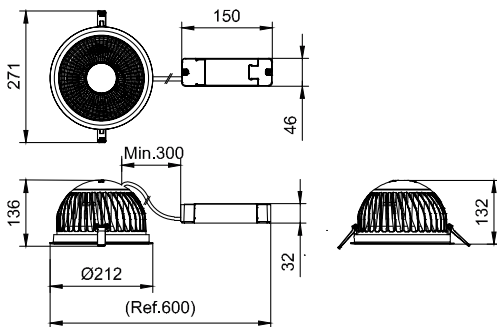
Ambient temperature range	-20 to +40 °C
Maximum dim level	Not applicable

Product Data

Full product code	911401550441
Order product name	DN594B LED40/840 PSU C D200 WH WB WP GM
Order code	911401550441
Numerator - Quantity Per Pack	1
Numerator - Packs per outer box	1
Material Nr. (12NC)	911401550441
Net Weight (Piece)	1.399 kg



Dimensional drawing



DN58XB/DN59XB

