



LuxSpace G4

DN589B LED10/840 PSU C D150 WH WB CAU

Reflector

LuxSpace Gen4 is the a new LED downlight range combining light comfort and leading performance with luxury looking

Product data

| General Information | |
|--|---|
| Light source color | 840 neutral white |
| Light source replaceable | No |
| Number of gear units | 1 unit |
| Driver/power unit/transformer | Power supply unit external |
| Driver included | Yes |
| Optic type | Facetted reflector with beam angle 60° |
| Optical cover/lens type | Reflector |
| Connection | Push-in connector and pull relief |
| Protection class IEC | Safety class II |
| Glow-wire test | Temperature 650 °C, duration 30 s |
| Flammability mark | For mounting on normally flammable surfaces |
| CE mark | CE mark |
| Warranty period | 3 years |
| Constant light output | No |
| Number of products on MCB of 16 A type B | 34 |
| RoHS mark | RoHS mark |
| Operating and Electrical | |
| Input Voltage | 220 to 240 V |
| Input Frequency | 50 or 60 Hz |

| Inrush current | 5.2 A |
|------------------------------|-------------------------------|
| Inrush time | 0.23 ms |
| Power Factor (Min) | 0.9 |
| Controls and Dimming | |
| Dimmable | No |
| Mechanical and Housing | |
| Housing Material | Aluminum die cast |
| Reflector material | Polycarbonate aluminum coated |
| Optic material | Polycarbonate |
| Optical cover/lens material | Polycarbonate |
| Fixation material | Steel |
| Optical cover/lens finish | Textured |
| Overall height | 100 mm |
| Overall diameter | 162 mm |
| Color | White and black |
| Approval and Application | |
| Ingress protection code | IP20 [Finger-protected] |
| Mech. impact protection code | IK03 [0.3 J] |

LuxSpace G4

Initial Performance (IEC Compliant)

| | |
|-------------------------------------|----------|
| Initial luminous flux (system flux) | 1050 lm |
| Luminous flux tolerance | +/-10% |
| Initial LED luminaire efficacy | 125 lm/W |
| Init. Corr. Color Temperature | 4000 K |
| Init. Color Rendering Index | >80 |
| Initial input power | 8.4 W |
| Power consumption tolerance | +/-10% |

Over Time Performance (IEC Compliant)

| | |
|---------------------------|---------|
| Median useful life L70B50 | 50000 h |
| Median useful life L80B50 | 50000 h |
| Median useful life L90B50 | 21000 h |

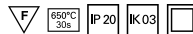
Application Conditions

| | |
|---------------------------|---------------|
| Ambient temperature range | -20 to +40 °C |
|---------------------------|---------------|

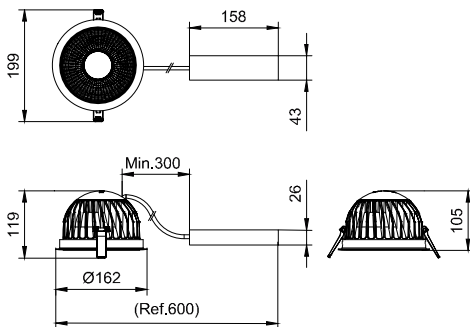
| | |
|-------------------|----------------|
| Maximum dim level | Not applicable |
|-------------------|----------------|

Product Data

| | |
|---------------------------------|--|
| Full product code | 911401551441 |
| Order product name | DN589B LED10/840 PSU C D150 WH WB CAU |
| Order code | 911401551441 |
| Numerator - Quantity Per Pack | 1 |
| Numerator - Packs per outer box | 1 |
| Material Nr. (12NC) | 911401551441 |
| Net Weight (Piece) | 0.799 kg |



Dimensional drawing



DN58XB/DN59XB

