



# LuxSpace G4

## DN589B LED10/830 PSD C D150 WH WB CAU

LuxSpace Gen4 is the a new LED downlight range combining light comfort and leading performance with luxury appearance

### Product data

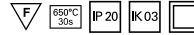
| General Information           |  |
|-------------------------------|--|
| Lamp colour code              | 830 warm white   |
| Light source replaceable      | No   |
| Number of gear units          | 1 unit   |
| Driver/power unit/transformer | PSU-E [ Power supply unit external (PSU)]                      |
| Driver included               | Yes  |
| Control interface             | DALI   |
| Connection                    | C-2R [ Connector with 2 additional wires for light regulation] |
| Protection class IEC          | Safety class II (II)   |
| Glow-wire test                | 650/30 [ Temperature 650 °C., duration 30 s]                   |
| Flammability mark             | F [ For mounting on normally flammable surfaces]               |
| CE mark                       | CE mark  |
| Warranty period               | 3 years  |
| Constant light output         | No   |
| Number of products on MCB     | 24   |
| RoHS mark                     | RoHS mark  |
| Operating and Electrical      |  |
| Input voltage                 | 220 to 240 V   |
| Input frequency               | 50 or 60 Hz  |
| Inrush current                | 16 A   |
| Inrush time                   | 0.22 ms  |
| Power factor (min.)           | 0.9  |

| Controls and Dimming                |                               |
|-------------------------------------|-------------------------------|
| Dimmable                            | Yes                           |
| Mechanical and Housing              |                               |
| Housing material                    | Aluminum die-cast             |
| Reflector material                  | Polycarbonate aluminum coated |
| Optic material                      | Polycarbonate                 |
| Optical cover/lens material         | Polycarbonate                 |
| Fixation material                   | Steel                         |
| Optical cover/lens finish           | Textured                      |
| Overall height                      | 100 mm                        |
| Overall diameter                    | 162 mm                        |
| Colour                              | White and black               |
| Approval and Application            |                               |
| Ingress protection code             | IP20 [ Finger-protected]      |
| Mech. impact protection code        | IK03 [ 0.3 J]                 |
| Initial Performance (IEC Compliant) |                               |
| Initial luminous flux               | 990 lm                        |
| Luminous flux tolerance             | +/-10%                        |
| Initial LED luminaire efficacy      | 25 lm/W                       |
| Lamp colour temperature             | 3000 K                        |
| Colour Rendering Index              | >80                           |
| Initial input power                 | 39.7 W                        |

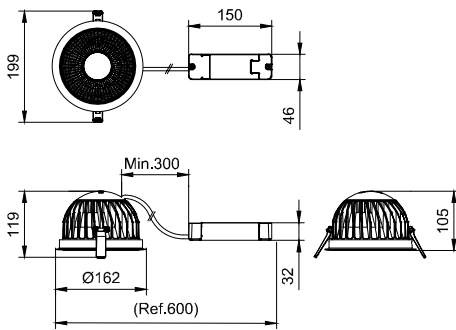
# LuxSpace G4

|  |                |
|--|----------------|
| Power consumption tolerance                  | +/-10%         |
| <b>Over Time Performance (IEC Compliant)</b> |                |
| Median useful life L70B50                    | 50000 h        |
| Median useful life L80B50                    | 50000 h        |
| Median useful life L90B50                    | 21000 h        |
| <b>Application Conditions</b>                |                |
| Ambient temperature range                    | -20 to +40 °C  |
| Maximum dimming level                        | 1%             |
| Suitable for random switching                | Not applicable |

|                                 |                                       |
|---------------------------------|---------------------------------------|
| <b>Product Data</b>             |                                       |
| Full product code               | 911401552041                          |
| Order product name              | DN589B LED10/830 PSD C D150 WH WB CAU |
| Order code                      | 911401552041                          |
| Numerator – quantity per pack   | 1                                     |
| Numerator – packs per outer box | 1                                     |
| Material no. (12NC)             | 911401552041                          |
| Net weight (piece)              | 0.799 kg                              |



## Dimensional drawing



DN58XB/DN59XB

